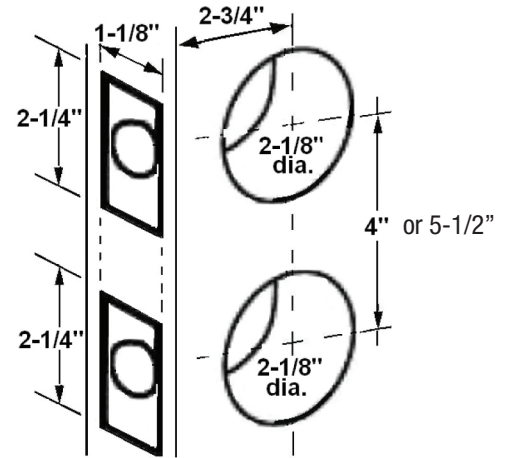
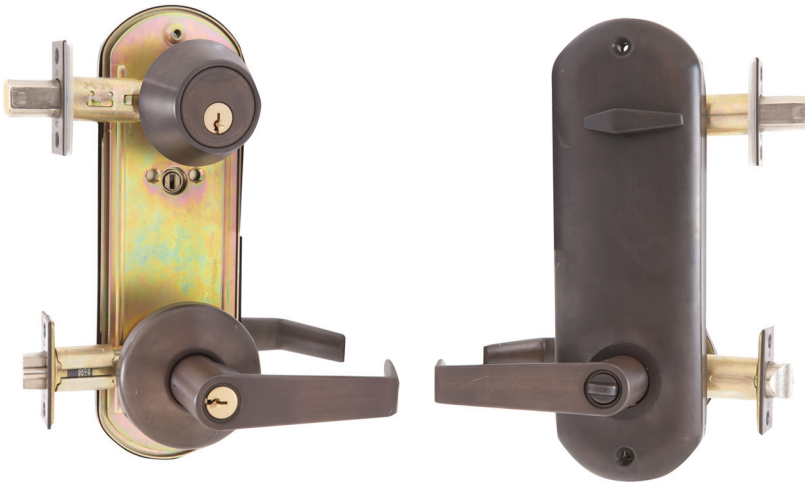


Doormerica

ASIL Adjustable - Simultaneous Retraction Interconnected Grade 2 Locks



Features:

- LEVER -Saturn (SAT) Style with 4 -1/2" Length and Returns 1/2" from Door Face.
- ESCUTCHEON -6-7/8" x 2-5/8" Brass Interconnecting Plate
- LATCHBOLT -2-3/4" Backset, UL 3 Hour Fire Listed with 1/2" Throw. (2-3/8" Backset Optional) (SOLD SEPERATELY)
- DEADBOLT -2-3/4" Backset, 1" Throw Brass with Hardened Steel Pins.
DEADBOLT ADJ. 2-3/8 -2 3/4
- PLKT -TLockset Strikes & 2-3/4 x 1-1/8" Latch Strike.
- PDBS -Deadbolt Strikes & 2-3/4 x 1-1/8" Deadbolt Strike.
- Schlage "C" 6 Pin Keyway.
- ASIL CTC 4" or 5-1/2"



CODE COMPLIANCE:

- ANSI A156.12 Grade 2. UL10C and UBC 7.2 for positive pressure.
- ANSIA 117.1 and ADA for barrier-free accessibility.
- C-UBC -California Amended Uniform Builders Code-2001.
- NFPA-80-National Fire Protection Association 1999.
- NFPA101 National Fire Protection Association Life Safety -2000

LIMITED LIFETIME WARRANTY

Functions:

- SIL10 -Single Locking
Deadbolt thrown or retracted by dead bolt key or inside thumb turn. Outside lever always retracts latch. Inside lever simultaneously retracts deadbolt and latch for immediate egress.
- SIL53 -Double Locking Deadbolt may be thrown or retracted by outside key or inside thumb turn. The lever may be locked or unlocked by key or rotating inside turn button. Turning inside lever always simultaneously retracts both deadbolt and latch for immediate egress.

Stocked Product

Item	Lever	Finish
ASIL10	Saturn	10B, 26D
ASIL10	Sparta	10B, 26D
ASIL53	Saturn	10B, 26D
ASIL53	Sparta	10B, 26D