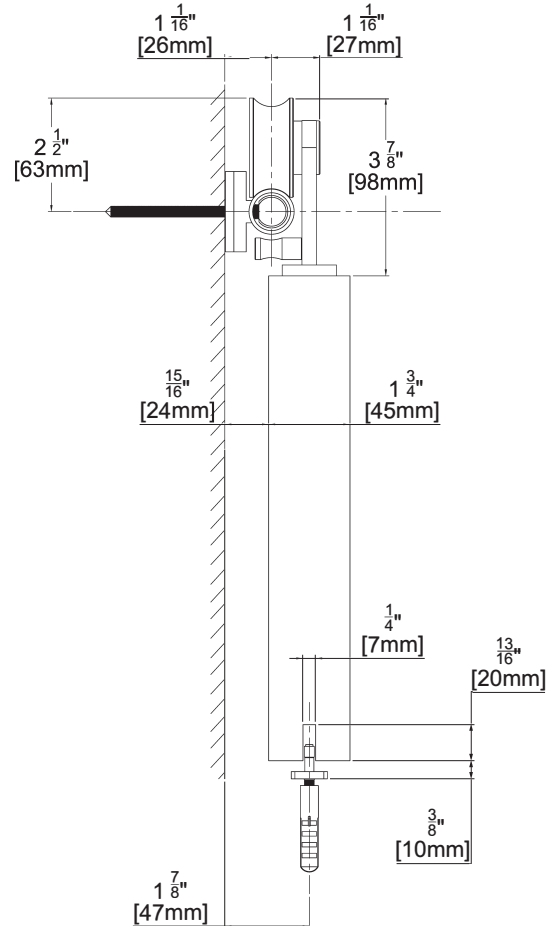


Doormerica

Premium Sliding Barn Door Hardware

Set Design - Wood Type 1



Features:

- Designed for Wood Doors 1-3/4" & 1-3/8" thick
Top Mounted Hardware
Door weight up to 176 pounds per door
- Materials:
304 Stainless Steel Track
304 Stainless Steel Hangers with Nylon Coated Rollers
- Product Standards:
Product designed and tested to follow ANSI Grade 1 Standards
- Finishes Available:
Brushed Stainless Steel, Dark Bronze

Kits Include:

- 1 ea. Track with Wall Brackets
- 2 ea. Hangers (WD T1 CARRIER SS/DB)
- 2 ea. Track Stops (PREMSTOPO3 SS/DB)
- 1 ea. Door Bottom Guide (PREMFLGUIDE03 SS/BLK)
1 ea. Wall Mount Channel Door Guide (PREMFLGUIDE12 BLK/GRY)
- 1 ea. Installation Instructions

* parts in parenthesis available for purchase if additional are needed

Door Type	Set Type	Size	Finish	Track Length	Door Width
WD	T1	06	SS	78-3/4"	36"
WD	T1	08	SS	98-7/16"	48"
WD	T1	06	DB	78-3/4"	36"
WD	T1	08	DB	98-7/16"	48"

TEN YEAR LIMITED WARRANTY

Stocked Product

Item	Finish
PREMSLIDE WD T1 06	Brushed Stainless Steel
PREMSLIDE WD T1 06	Dark Bronze
PREMSLIDE WD T1 08	Brushed Stainless Steel
PREMSLIDE WD T1 08	Dark Bronze
WD T1 CARRIER SS	Brushed Stainless Steel
WD T1 CARRIER DB	Dark Bronze