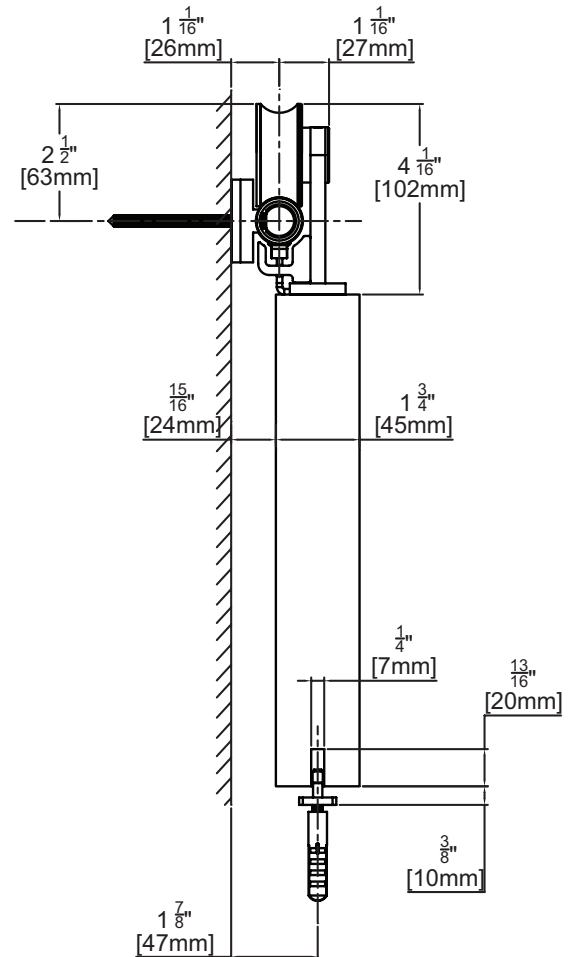


Doormerica

Premium Sliding Barn Door Hardware Set Design - Wood Type 1 Soft Close



Features:

- Designed for Wood Doors 1-3/4" & 1-3/8" thick
Top Mounted Hardware
Door weight up to 176 pounds per door
- Materials:
304 Stainless Steel Track
304 Stainless Steel Hangers with Nylon Coated Rollers
- Product Standards:
Product designed and tested to follow ANSI Grade 1 Standards
- Finishes Available:
Brushed Stainless Steel

Kits Include:

- 1 ea. Track with Wall Brackets
- 2 ea. Hangers (WD T1 CARRIER SS)
- 2 ea. Track Stops (PREMSTOP03 SS)
- 1 ea. Door Bottom Guide (PREMFLGUIDE03 SS)
1 ea. Wall Mount Channel Door Guide (PREMFLGUIDE12 GRY)
- 1 ea. Installation Instructions

* parts in parenthesis available for purchase if additional are needed

| Door Type | Set Type | Size | Finish | Track Length | Door Width |
|-----------|----------|------|--------|--------------|------------|
| WD | T1SC | 06 | SS | 78-3/4" | 36" |
| WD | T1SC | 08 | SS | 98-7/16" | 48" |

TEN YEAR LIMITED WARRANTY

Soft Close Mechanism

TWO YEAR LIMITED WARRANTY

Stocked Product

| Item | Finish |
|----------------------|-------------------------|
| PREMSLIDE WD T1SC 06 | Brushed Stainless Steel |
| PREMSLIDE WD T1SC 08 | Brushed Stainless Steel |
| WD T1 CARRIER SS | Brushed Stainless Steel |