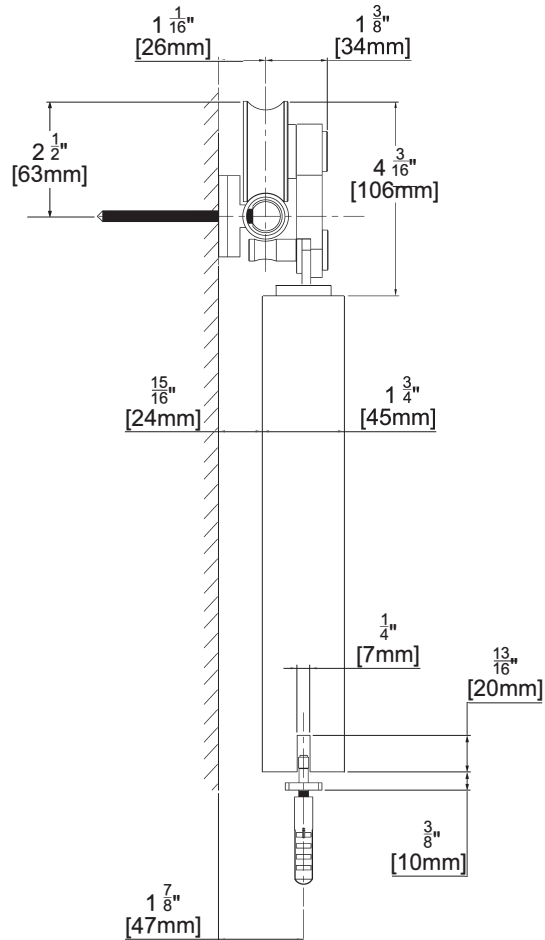


Doormerica

Premium Sliding Barn Door Hardware

Set Design - Wood Type 2



Features:

- Designed for Wood Doors 1-3/4" & 1-3/8" thick
Top mounted hardware
Door weight up to 242 pounds per door
- Materials:
304 Stainless Steel Track
304 Stainless Steel Hangers with Nylon Coated Rollers
- Product Standards:
Product designed and tested to follow ANSI Grade 1 Standards
- Finishes Available:
Brushed Stainless Steel

Kits Include:

- 1 ea. Stainless Steel Track with Stainless Steel Wall Brackets
- 2 ea. Stainless Steel Hangers
- 2 ea. Stainless Steel Track Stops (PREMSTOP07 SS)
- 1 ea. Stainless Steel Door Bottom Guide(PREMFLGUIDE03 SS)
- 1 ea. Wall Mount Channel Door Guide (PREMFLGUIDE12 BLK)
- 1 ea. Installation Instructions

* parts in parenthesis available for purchase if additional are needed

Door Type	Set Type	Size	Finish	Track Length	Door Width
WD	T2	06	SS	78-3/4"	36"
WD	T2	08	SS	98-7/16"	48"

TEN YEAR LIMITED WARRANTY

Stocked Product

Item	Finish
PREMSLIDE WD T2 06	Brushed Stainless Steel
PREMSLIDE WD T2 08	Brushed Stainless Steel