

Doormerica

Premium Sliding Barn Door Hardware

Set Design - Wood Type 5



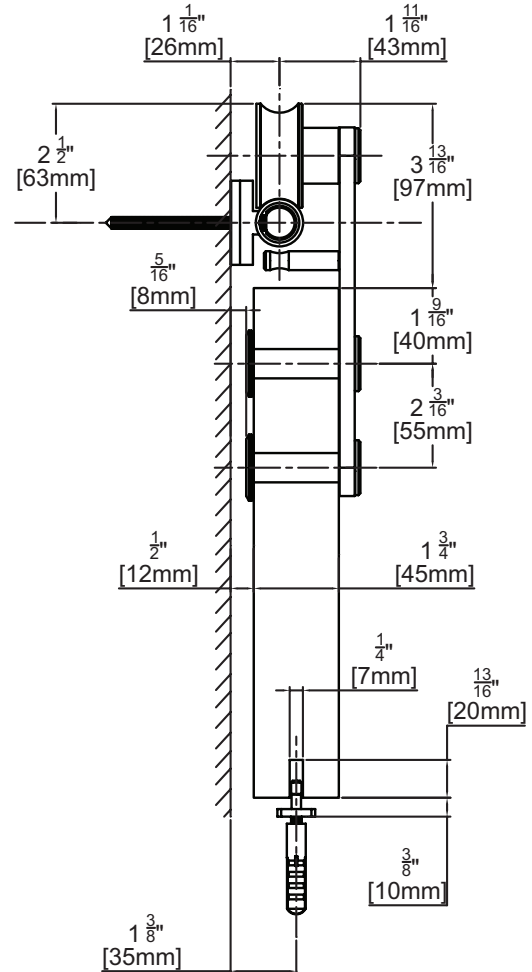
Features:

- Designed for Wood Doors 1-3/4" & 1-3/8" thick
Top Mounted Hardware
Door weight up to 198 pounds per door
- Materials:
304 Stainless Steel Track
304 Stainless Steel Hangers with Nylon Coated Rollers
- Product Standards:
Product designed and tested to follow ANSI Grade 1 Standards
- Finishes Available:
Brushed Stainless Steel
Dark Bronze

Kits Include:

- 1 ea. Stainless Steel Track with Stainless Steel Wall Brackets
- 2 ea. Stainless Steel Hangers (WDT5CARRIER SS/DB)
- 2 ea. Stainless Steel Track Stops (PREMSTOP03 SS/DB)
- 1 ea. Stainless Steel Door Bottom Guide (PREMFLGUIDE03 SS/BLK)
- 1 ea. Wall Mount Channel Door Guide (PREMFLGUIDE12 BLK/GRY)
- 1 ea. Installation Instructions

* parts in parenthesis available for purchase if additional are needed



Door Type	Set Type	Size	Finish	Track Length	Door Width
WD	T5	06	SS	78-3/4"	36"
WD	T5	08	SS	98-7/16"	48"
WD	T5	06	DB	78-3/4"	36"
WD	T5	08	DB	98-7/16"	48"

TEN YEAR LIMITED WARRANTY

Stocked Product

Item	Finish
PREMSLIDE WD T5 06	Brushed Stainless Steel
PREMSLIDE WD T5 06	Dark Bronze
PREMSLIDE WD T5 08	Brushed Stainless Steel
PREMSLIDE WD T5 08	Dark Bronze
WD T5 CARRIER SS	Brushed Stainless Steel
WD T5 CARRIER DB	Dark Bronze