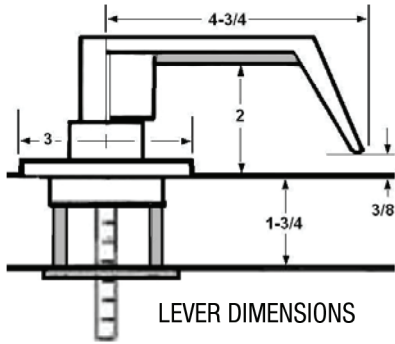


Doormerica

Exit Device Trim

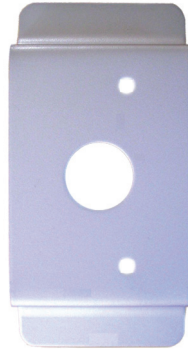
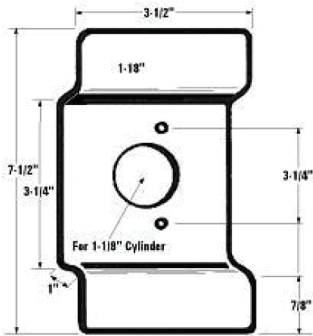


- ETLHL500* - ENTRY FUNCTION
- ETLHL510* - PASSAGE LEVER TRIM
- ETLHL580* - STOREROOM LEVER TRIM

Stocked Product

Item	Finish
ETLHL500	10B, 26D
ETLHL510	10B, 26D
ETLHL580	10B, 26D

Pull Trim



ETPP05
RIM CYLINDER
NOT INCLUDED



ETPP06

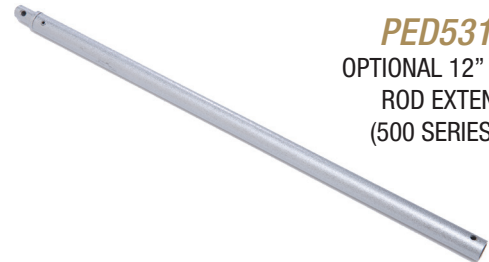
Accessories



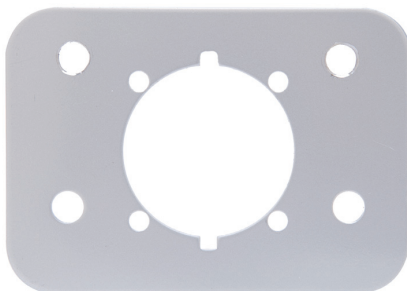
PEDMP161
ANSI 161 2-1/8" BORE
TRIM MOUNTING PLATE



ALRMKIT500 - ALARM KIT
USED WITH 500 SERIES EXIT DEVICES
1-1/8" MORTISE CYLINDER
NOT INCLUDED



PED531EXT
OPTIONAL 12" VERTICAL
ROD EXTENSION
(500 SERIES ONLY)



PEDBPVR
BACK PLATE FOR USE WITH
VERTICAL ROD TRIM

Stocked Product

Item	Finish
ALRMKIT500	Aluminum, Duro
ETPP05/ETPP06	Aluminum, Duro
PED531EXT	Aluminum, Duro
PEDBPVR	Aluminum
PEDMP161	Non-Finished