

Doormerica

EDVR531 / EDFVR531 - Standard Duty Commercial Surface Vertical Rod Exit Device

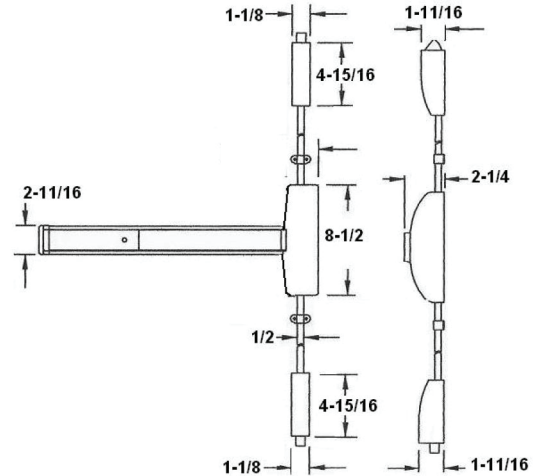
Features:

- Deadlatching and Non-Handed. Dogging Standard Only on NON-UL listed Device.
- Interlocking Top and Pullman Bottom Latch.
- Baked Enamel Aluminum (AL) and Duronodic (DU) Finish.
- PEDPS03 & PEDPS11 -Standard Top & Bottom Strike.
- PEDFP161 & PEDFP-ANSI -Latch & Strike Filler Plate.
- PEDSNB -Standard with Sex Bolts.
- For all doors up to 36" (3') x 84" (7').
- EDFVR531 -UL Listed for Fire and Egress
-Listed for 1-1/2 Hour Fire doors under 38" (3'2") x 86" (7'2")



Options:

- ALRMKIT500 -Alarm Kit. Cylinder NOT Included, See Cylinder Section.
- ETLHL500 -Entry Function Lever #161 cylindrical preparation.
- ETLHL580 -Storeroom Function Lever #161 cylindrical Prep.
- ETPP05 Pull Plate with Cylinder cut-out, Rim Cylinder NOT Included.
- ETPP06 -Pull Plate Only.



CODE COMPLIANCE:

ANSI A 156.3 Grade 2. UL 1 OC and UBC 7.2 for positive pressure.
ANSIA117.1 and ADA for barrier-free accessibility
C-UBC -California Uniform Builders Code 2001
NFPA-80 -National Fire Protection Association 1999
NFPA101 National Fire Protection -Ufe Safety 2000

1 YEAR LIMITED WARRANTY

Stocked Product

Item	Finish
EDVR531	Alumnum and Duro
EDFVR531	Alumnum and Duro