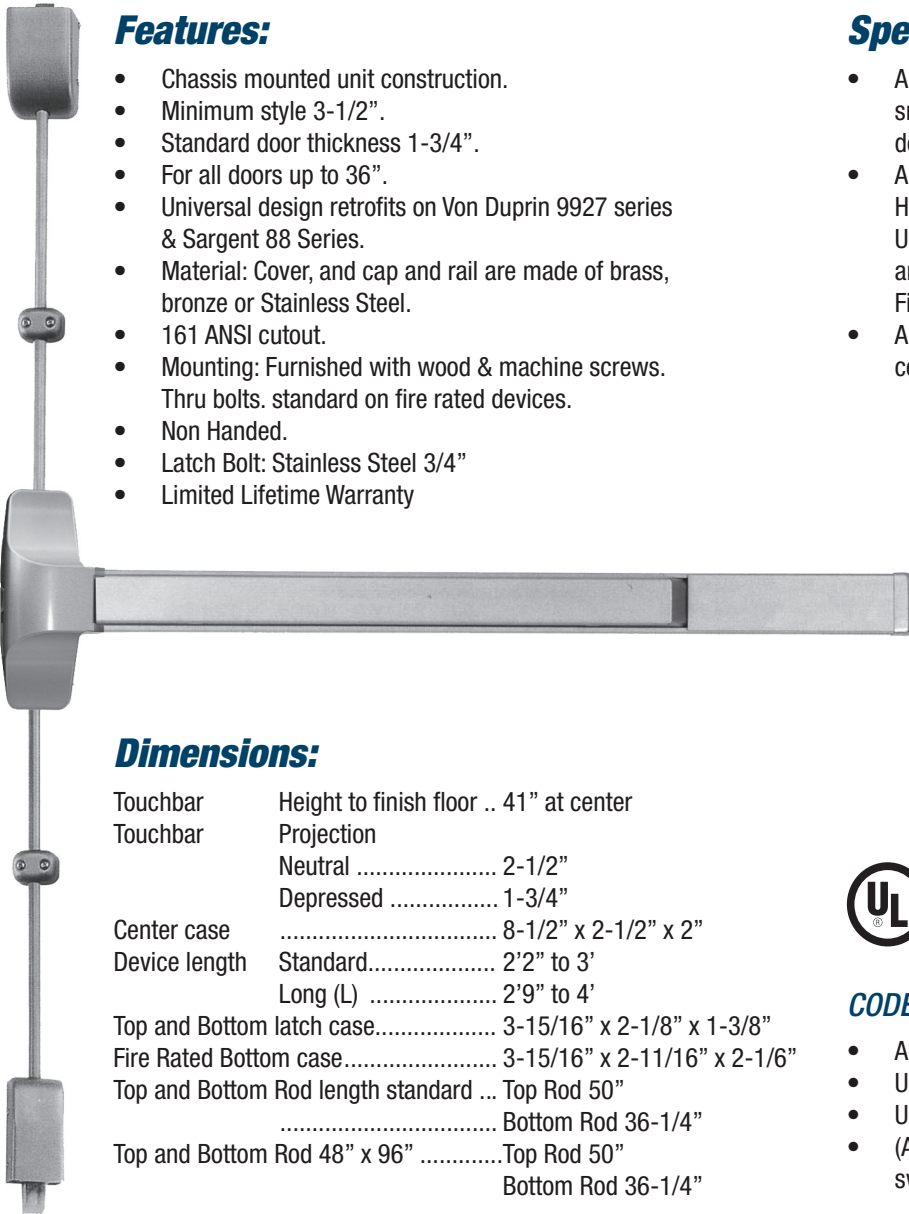


Doormerica

EDV701 / EDFV701 - Heavy Duty Grade 1 Vertical Rod Exit Device



Features:

- Chassis mounted unit construction.
- Minimum style 3-1/2".
- Standard door thickness 1-3/4".
- For all doors up to 36".
- Universal design retrofits on Von Duprin 9927 series & Sargent 88 Series.
- Material: Cover, and cap and rail are made of brass, bronze or Stainless Steel.
- 161 ANSI cutout.
- Mounting: Furnished with wood & machine screws. Thru bolts. standard on fire rated devices.
- Non Handed.
- Latch Bolt: Stainless Steel 3/4"
- Limited Lifetime Warranty

Specifications:

- All exit devices shall be of touch bar design with smooth operation and be operative over 2/3 of the door's clear opening width.
- All exit devices must be listed under "Panic Hardware" in the Accident Equipment List of Underwriter's Laboratories, Inc. Where labeled doors are used as exits, they must be equipped with labeled Fire Exit Hardware and UL 10C, UBC 7-2-1997 codes.
- All exit devices shall be of chassis mounted unit construction.

Dimensions:

Touchbar	Height to finish floor .. 41" at center
Touchbar	Projection
	Neutral 2-1/2"
	Depressed 1-3/4"
Center case 8-1/2" x 2-1/2" x 2"
Device length	Standard..... 2'2" to 3'
	Long (L) 2'9" to 4'
Top and Bottom latch case.....	3-15/16" x 2-1/8" x 1-3/8"
Fire Rated Bottom case.....	3-15/16" x 2-11/16" x 2-1/6"
Top and Bottom Rod length standard ...	Top Rod 50"
	Bottom Rod 36-1/4"
Top and Bottom Rod 48" x 96"	Top Rod 50"
	Bottom Rod 36-1/4"



CODE COMPLIANCE:

- ANSI A165.3, Grade 1
- UL listed for Panic and UL 10C, UBC 7-2-1997 codes.
- UL listed for Fire Exit Hardware. 3 Hours.
- (A) label rating on pairs of doors up to 8'0" x 8'0" swinging in same or opposite directions.

LIMITED LIFETIME WARRANTY

Options:

- Stocked 48" x 96" length, specify "L"
- Available different functions. Lever escutcheon trims are Grade 1 construction with clutch free wheeling mechanism.
Covers 161 cutout.
- Alarm Kit available for 3' & 4' applications.
- Glass Bead Kits available.

Stocked Product

Item	Finish
EDV701	10B, 28, 32D 36" x 96", 48" x 96"
EDFV701	10B, 28, 32D 36" x 96", 48" x 96"