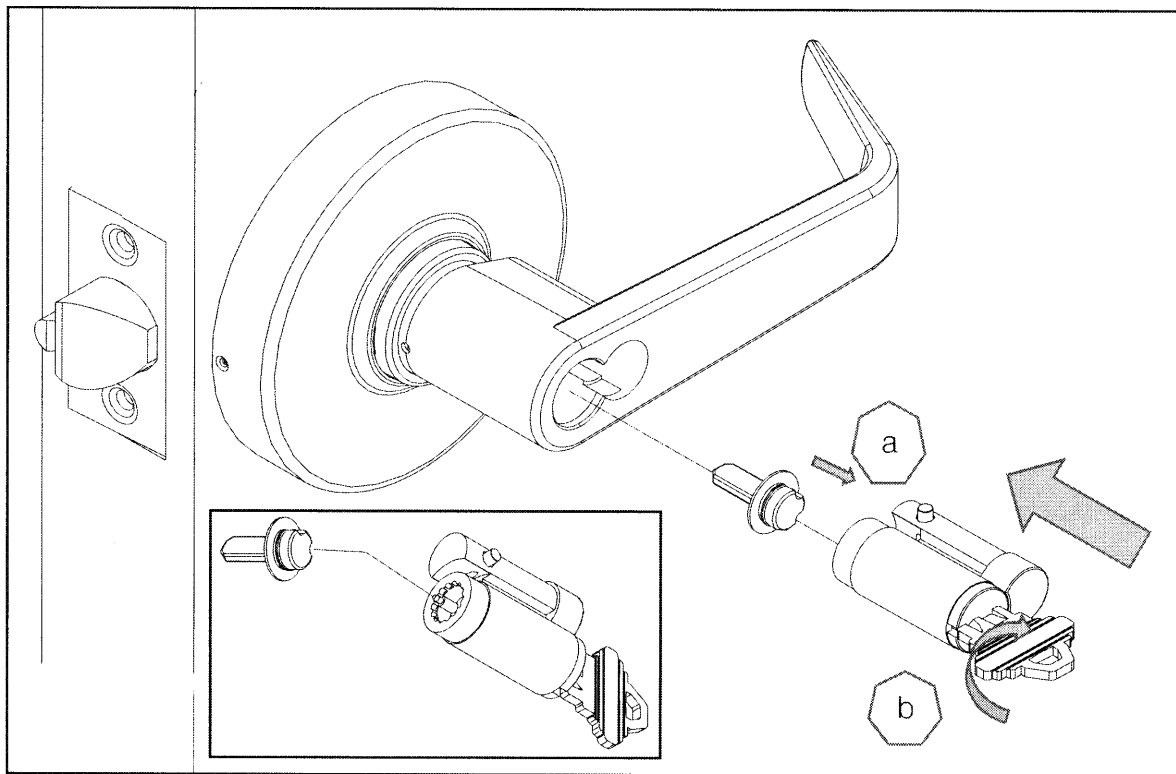


LFIC Installation



- a: Insert the tailpiece into the cylinder as shown above.
(If necessary, tap the tailpiece to fit it in.)
- b: Turn the control key clockwise and insert to the lever.
- c: Release the control key and remove it out of the cylinder.
- d: With a user key, test an operation.