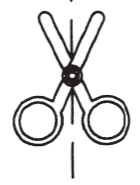
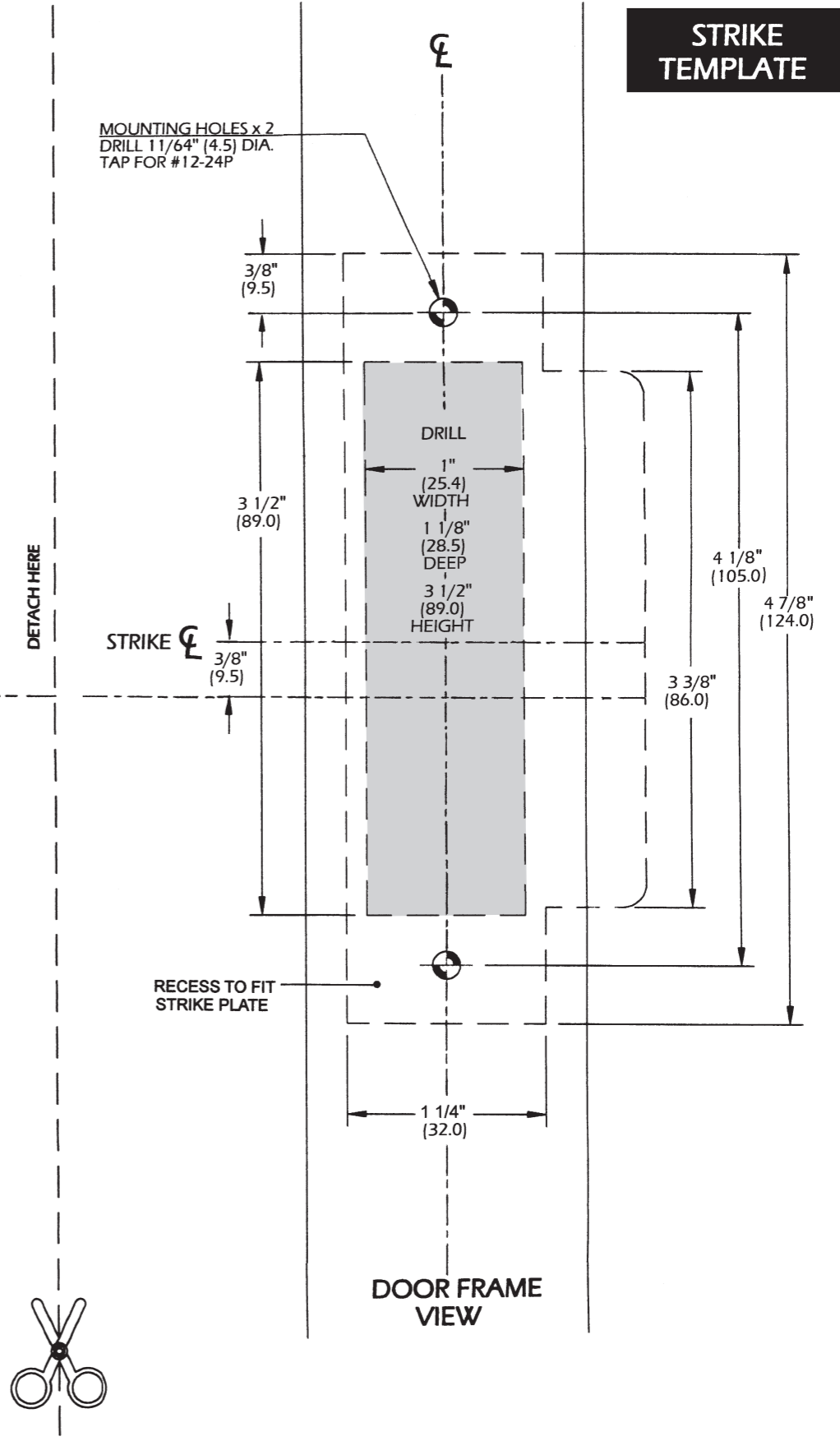
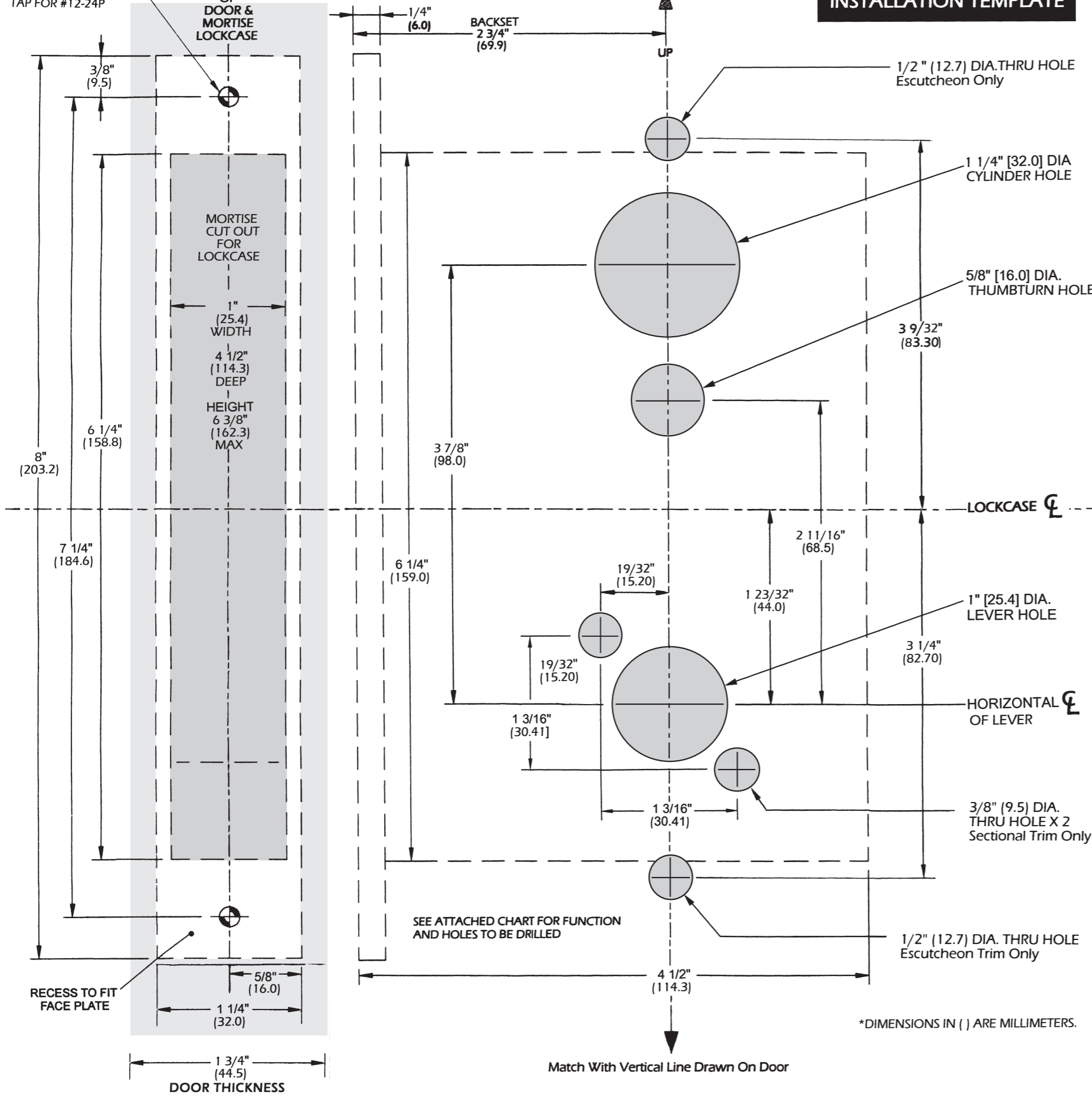


MOUNTING HOLES x 2
 DRILL 1 1/64" (4.5) DIA.
 TAP FOR #12-24P

OF
 DOOR &
 MORTISE
 LOCKCASE

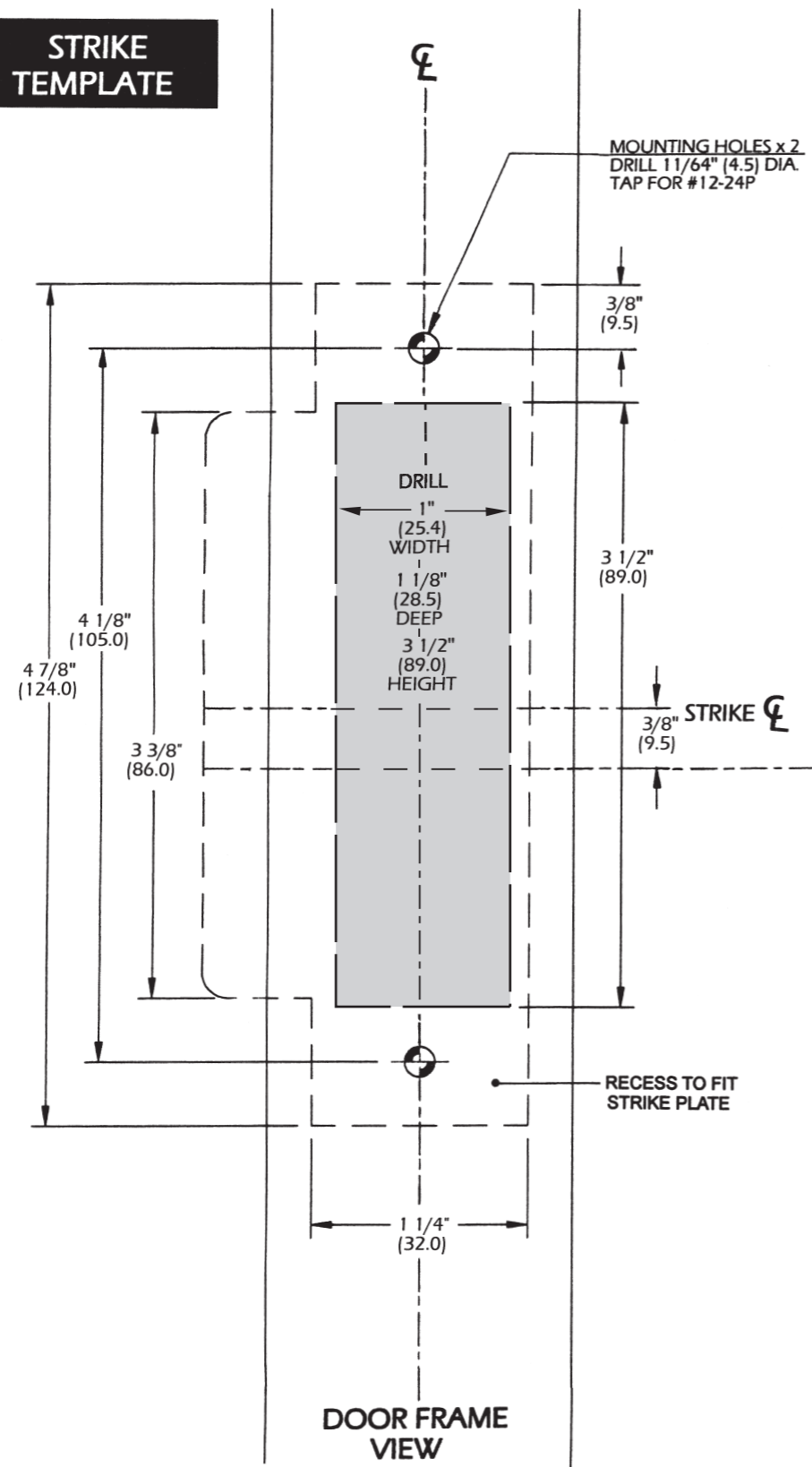
**MORTISE LOCK
 INSTALLATION TEMPLATE**

**STRIKE
 TEMPLATE**



FOR OPPOSITE HAND PLEASE SEE REVERSE SIDE

STRIKE TEMPLATE



FOR OPPOSITE HAND PLEASE SEE REVERSE SIDE

MORTISE LOCK INSTALLATION TEMPLATE

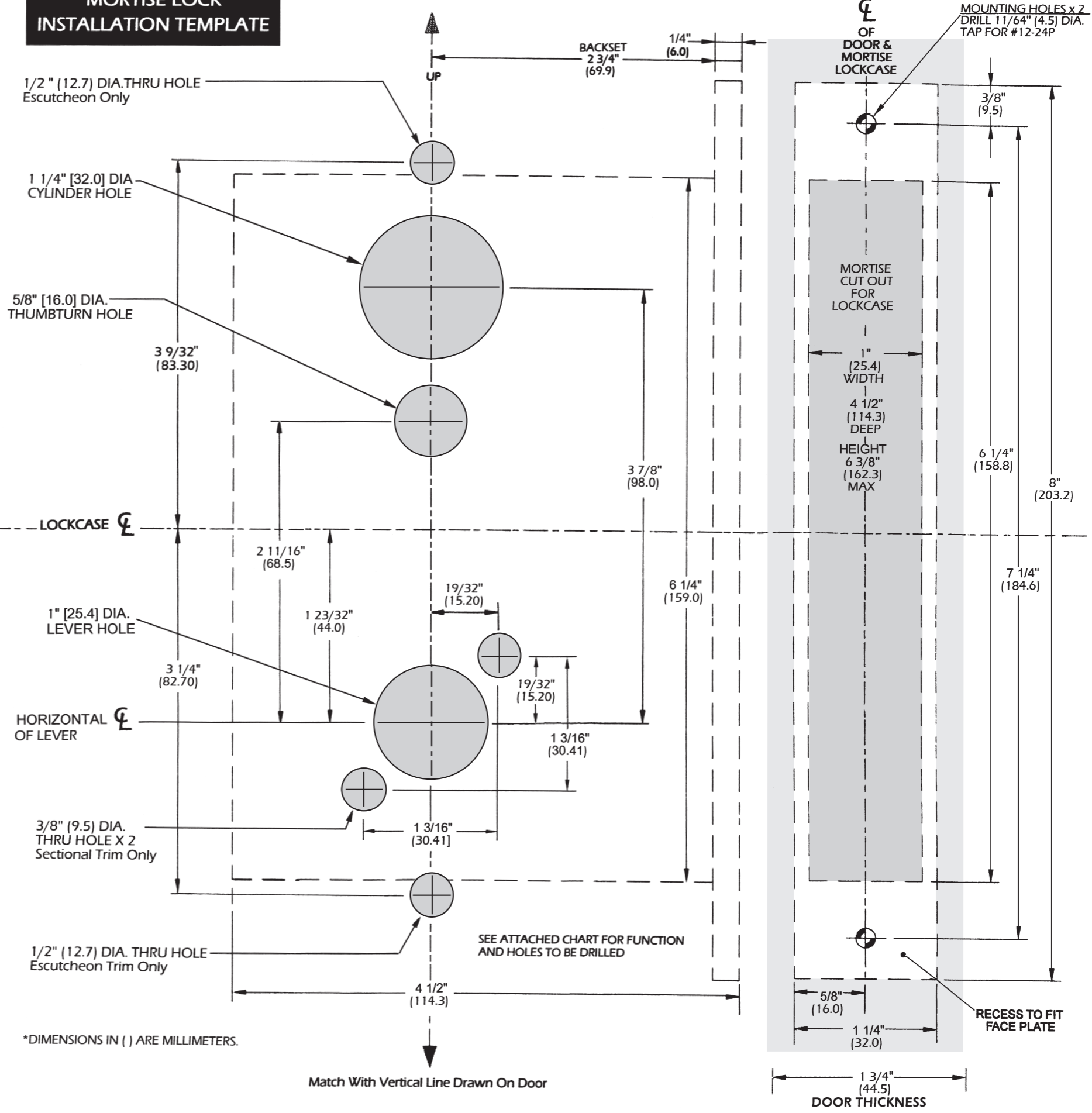


CHART FOR DRILLING TRIM HOLES

| FUNCTIONS | | | OUTSIDE | | | INSIDE | | |
|----------------------------------|------|-----------|------------|---------------|----------------|------------|---------------|----------------|
| MORTISE LOCK DESCRIPTIONS | ANSI | MODEL NO. | LEVER HOLE | CYLINDER HOLE | THUMBTURN HOLE | LEVER HOLE | CYLINDER HOLE | THUMBTURN HOLE |
| Passage | F01 | ML9010 | ● | | | ● | | |
| Entrance / Office(w/toggle) | F04 | ML9050 | ● | ● | | ● | | |
| Classroom | F05 | ML9070 | ● | ● | | ● | | |
| Storeroom or Closet | F07 | ML9080 | ● | ● | | ● | | |
| Apartment | F09 | ML9060 | ● | ● | | ● | ● | |
| Dormitory or Exit (w/toggle) | F11 | | ● | ● | | ● | ● | |
| Dormitory or Exit | F13 | | ● | ● | | ● | | ● |
| Store Door | F14 | ML9466 | ● | ● | | ● | ● | |
| Hotel Guest Room | F15 | ML9486 | ● | ● | | ● | | ● |
| Dead Lock - Double Cylinder | F16 | DL462 | | ● | | | ● | |
| Dead Lock - Cylinder / Thumbturn | F17 | DL460 | | ● | | | | ● |
| Dead Lock - Single Cylinder | F18 | DL464 | | ● | | | | |
| Privacy (w/dead bolt) | F19 | ML9040 | ● | | | ● | | ● |
| Apartment Corridor (w/toggle) | F20 | ML9453 | ● | ● | | ● | | ● |
| Room Door | F21 | ML9473 | ● | ● | | ● | | ● |
| Privacy (w/o dead bolt) | F22 | | ● | | ● | ● | | ● |
| Classroom Dead Lock | F29 | DL463 | | ● | | | | ● |
| Asylum or Institution | F30 | ML9082 | ● | ● | | ● | ● | |
| Classroom Intruder Latch Bolt | F32 | | ● | ● | | ● | ● | |
| Classroom Intruder Dead Bolt | F33 | | ● | ● | | ● | ● | |
| Classroom Intruder Dead Bolt | F34 | | ● | ● | | ● | ● | |
| Single Dummy | | ML0170 | ● | | | | | |
| Double Dummy | | ML0172 | ● | | | ● | | |
| Closet or Storeroom | | | ● | ● | | ● | | |
| Entrance | | | ● | ● | | ● | | ● |
| All Purpose | | | ● | ● | | ● | | ● |

REV : 01, 07 / 2015