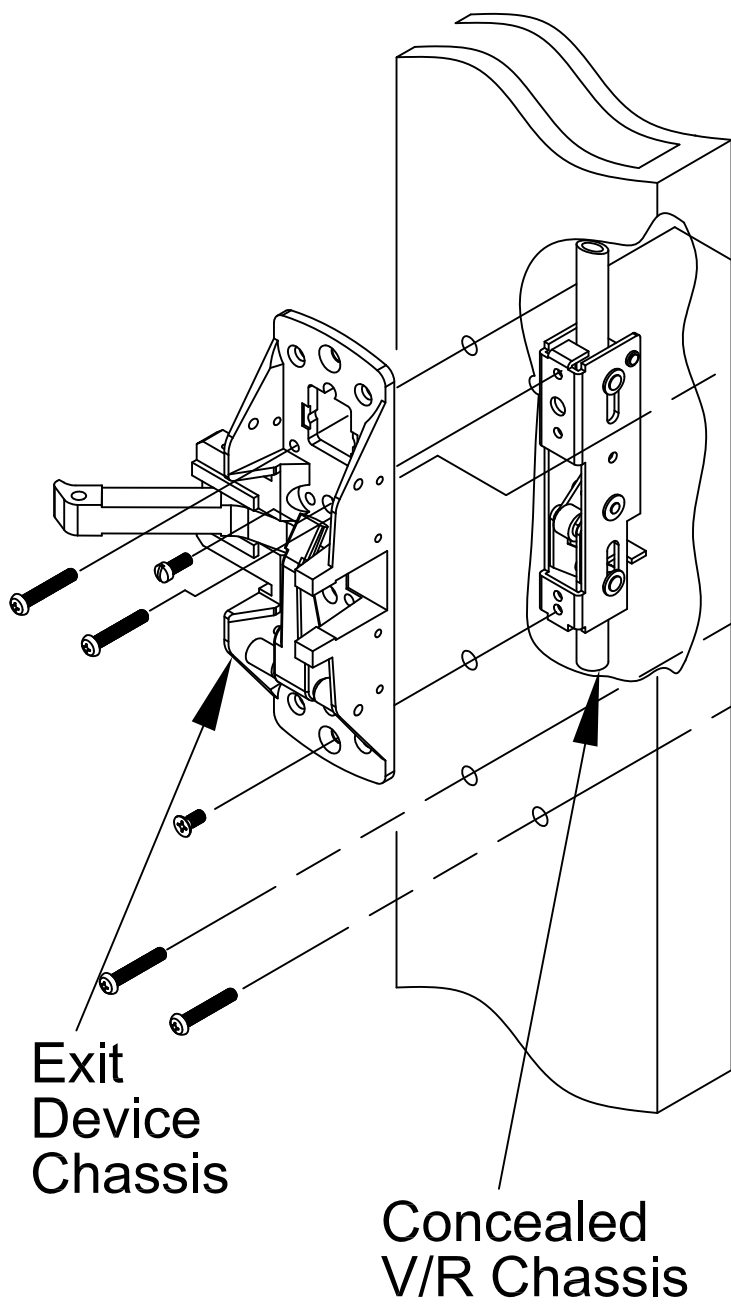
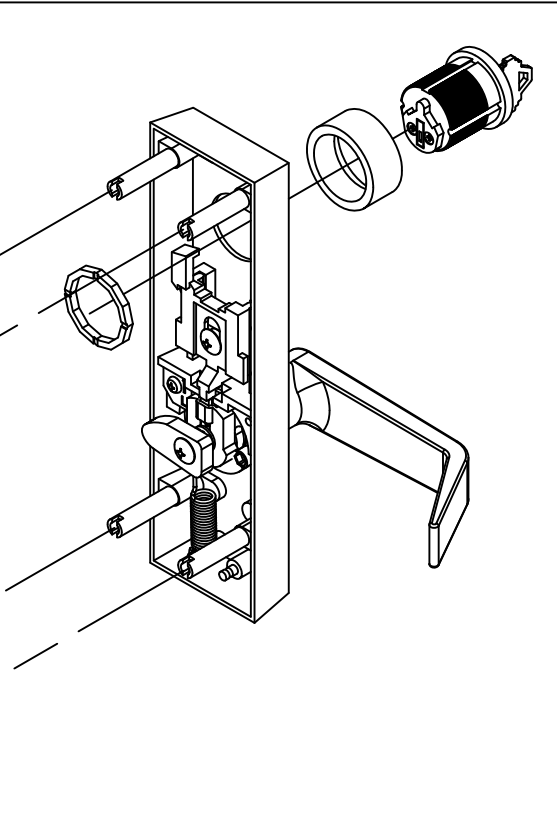
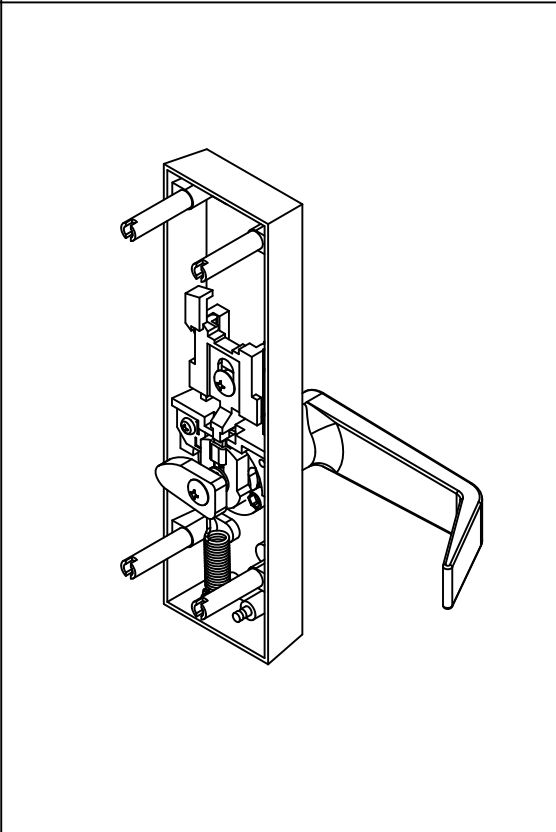
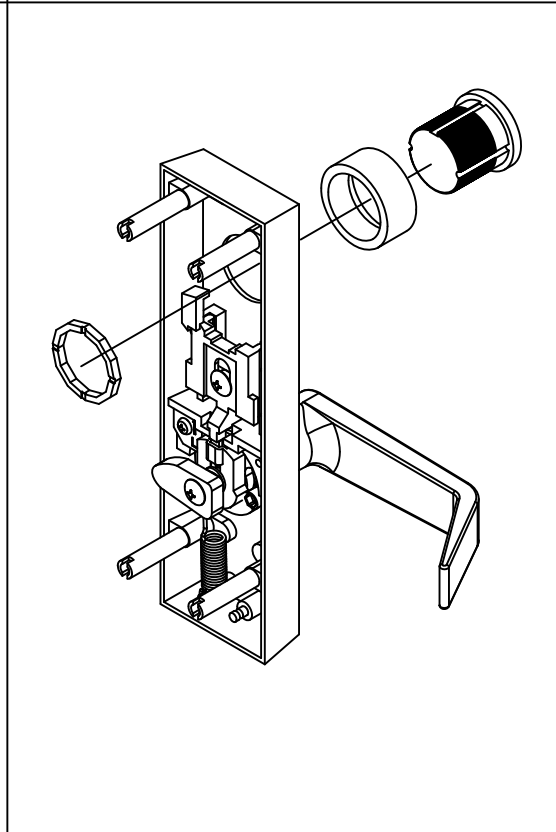
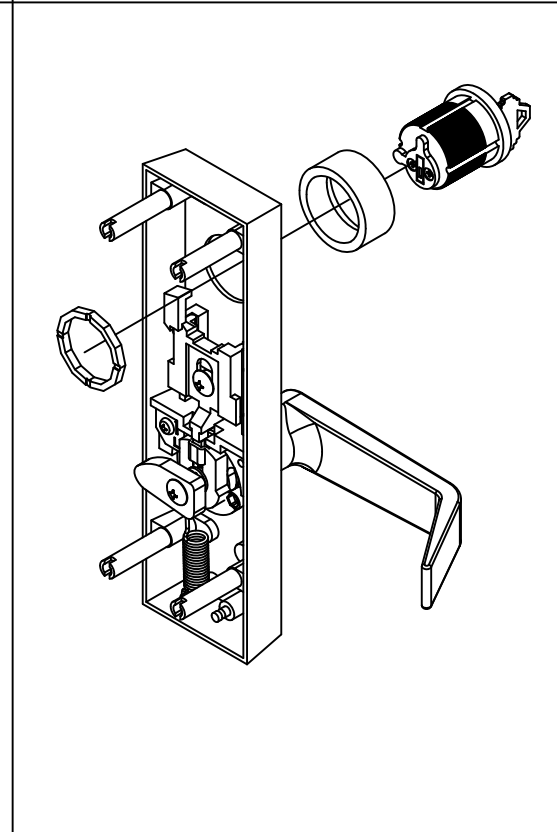


INSTRUCTIONS FOR CVRESC TRIM FOR EDCVM / W SERIES CONCEALED V/R EXIT DEVICE



	ETL06CV	ETLBE06CV	ETLDT06CV	ETLNL06CV
				
	Lockable Esc Lever Trim Key locks & Unlocks Lever	No Cyl, Trim Always Operable	Pull when Push bar locked down Dummy Esc Lever Trim	Key unlock Esc Lever, Key remained on Cyl unless Locked. Cyl Esc Lever Trim
	13 function Entrance	15 function Passage	10 function Dummy	04 function Storeroom
	Attach the collar and mortise cyl to the esc case with mortise nut, attach case to door thru bolting (2) screws to the chassis, aligning spindle to hub	Attach Esc case to door thru bolting the (2) screws to the chassis, aligning spindle to hub of the Chassis	Attach the collar and dummy cyl to the esc case with mortise nut, attach case to door thru bolting (2) screws to the chassis,	Attach the collar and mortise cyl to the esc case with mortise nut, attach case to door thru bolting (2) screws to the chassis, aligning spindle to hub

