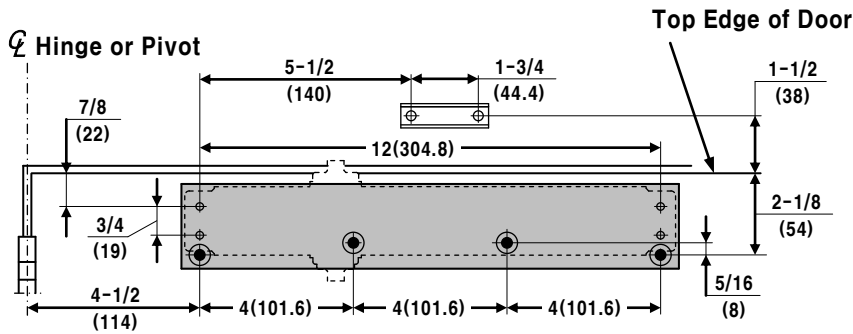
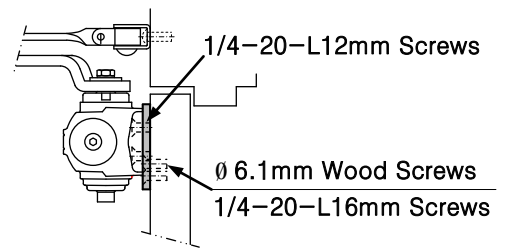


**PULL SIDE (DOOR JAMB) DROP PLATE PERMITS 180° MAXIMUM OPENING**



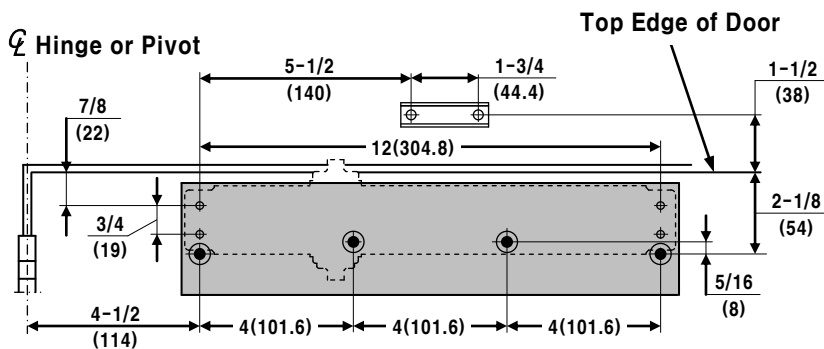
**PULL SIDE MOUNT ON: DC851-3146 DROP PLATE**



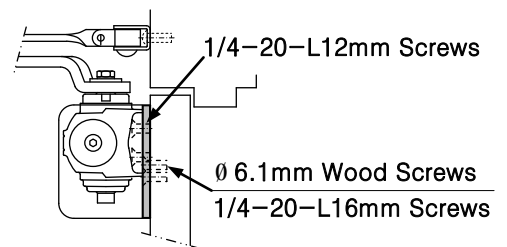
- Do Not Scale Drawing  
- Dimensions : inches(mm)

RIGHT HAND DOOR SHOWN, LEFT HAND OPPOSITE.

**PULL SIDE (DOOR JAMB) DROP PLATE PERMITS 180° MAXIMUM OPENING**



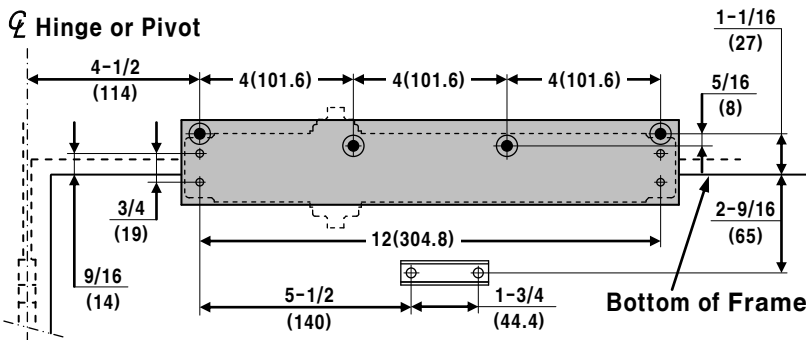
**PULL SIDE MOUNT ON: DC851-3546 DROP PLATE**



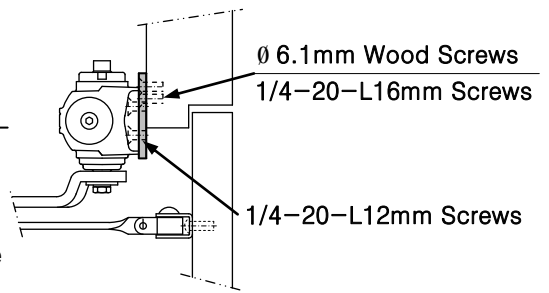
- Do Not Scale Drawing  
- Dimensions : inches(mm)

RIGHT HAND DOOR SHOWN, LEFT HAND OPPOSITE.

**PUSH SIDE (TOP JAMB) DROP PLATE PERMITS 180° MAXIMUM OPENING**



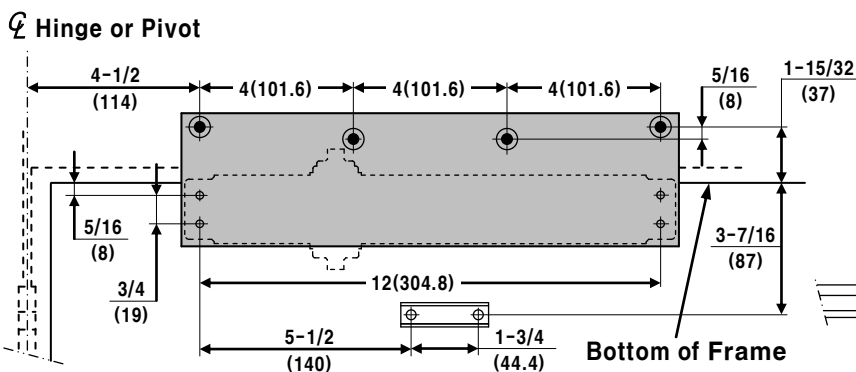
**PUSH SIDE MOUNT ON: DC851-3146 DROP PLATE**



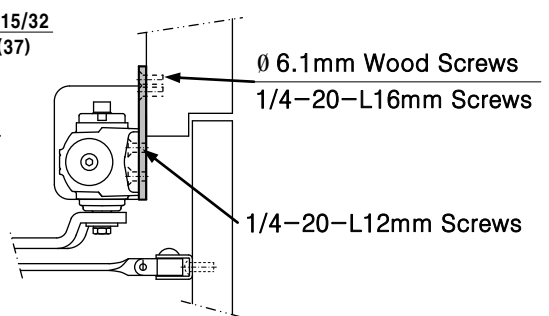
- Do Not Scale Drawing  
- Dimensions : inches(mm)

LEFT HAND DOOR SHOWN, RIGHT HAND OPPOSITE.

**PUSH SIDE (TOP JAMB) DROP PLATE PERMITS 180° MAXIMUM OPENING**



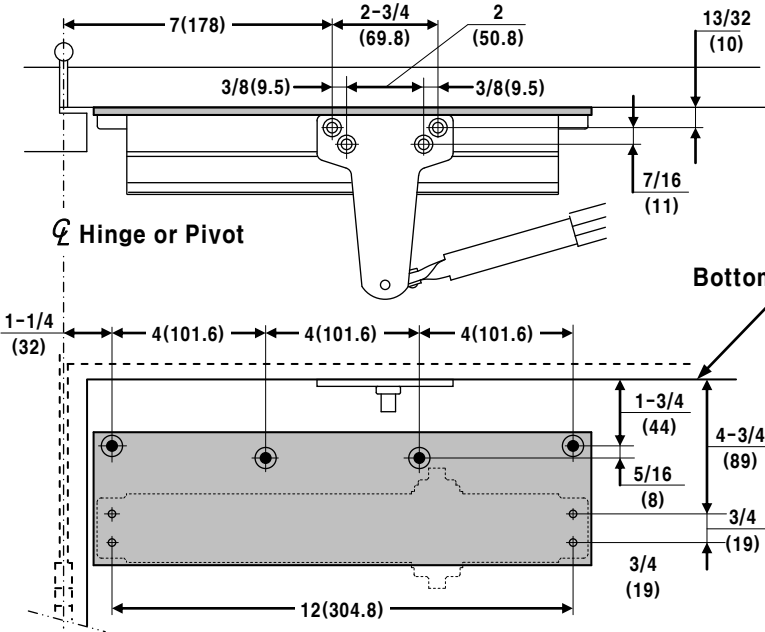
**PUSH SIDE MOUNT ON: DC851-3148 DROP PLATE**



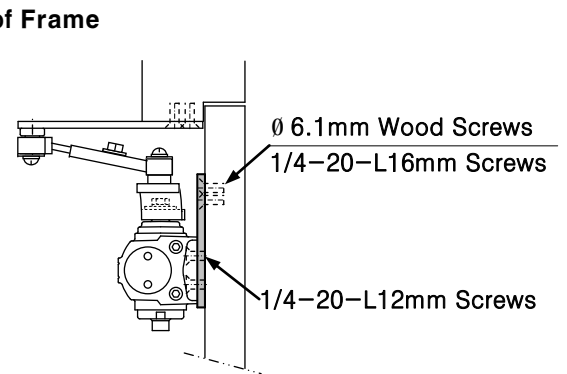
- Do Not Scale Drawing  
- Dimensions : inches(mm)

LEFT HAND DOOR SHOWN, RIGHT HAND OPPOSITE.

**PUSH SIDE (DOOR MOUNT) DROP PLATE PERMITS 180° MAXIMUM OPENING**



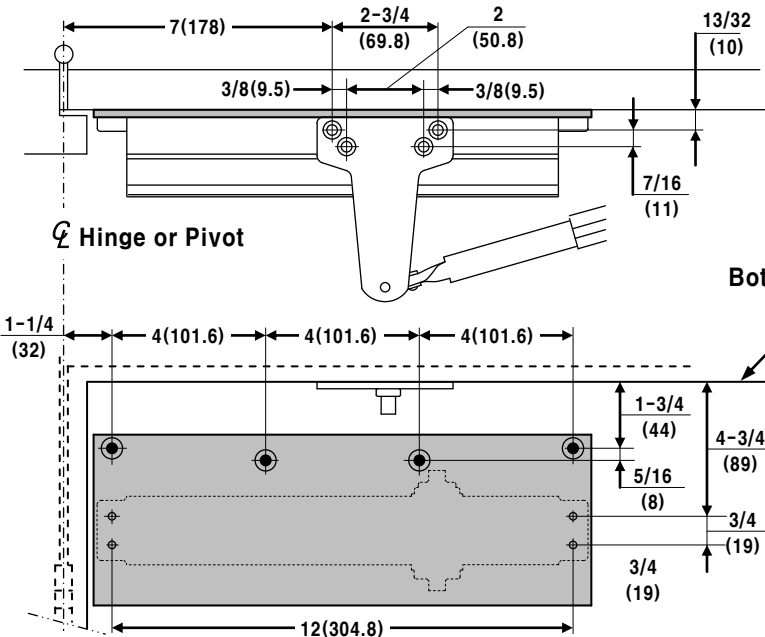
**PUSH SIDE MOUNT ON: DC851-3148 DROP PLATE**



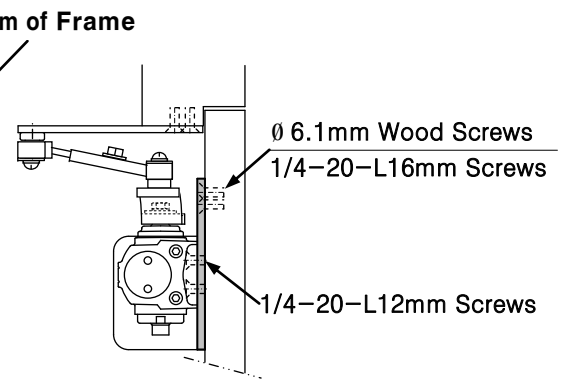
- Do Not Scale Drawing  
- Dimensions : inches(mm)

LEFT HAND DOOR SHOWN, RIGHT HAND OPPOSITE.

**PUSH SIDE (DOOR MOUNT) DROP PLATE PERMITS 180° MAXIMUM OPENING**



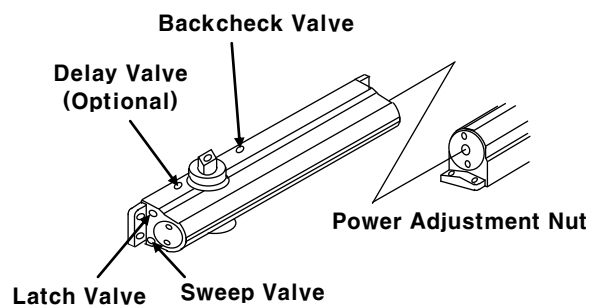
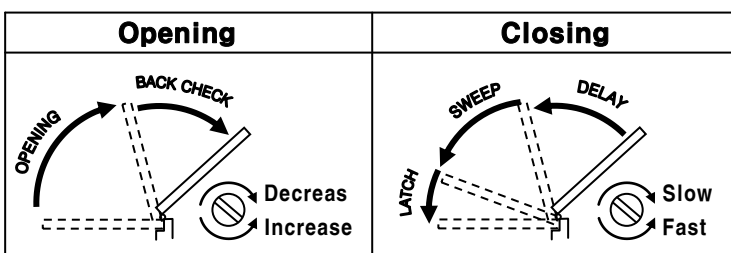
**PUSH SIDE MOUNT ON: DC851-3548 DROP PLATE**



- Do Not Scale Drawing  
- Dimensions : inches(mm)

LEFT HAND DOOR SHOWN, RIGHT HAND OPPOSITE.

**CLOSER ADJUSTMENT**



**CAUTION!!** Do not turn adjusting valve more than two(2) full turns counter-clockwise from its factory set positing.