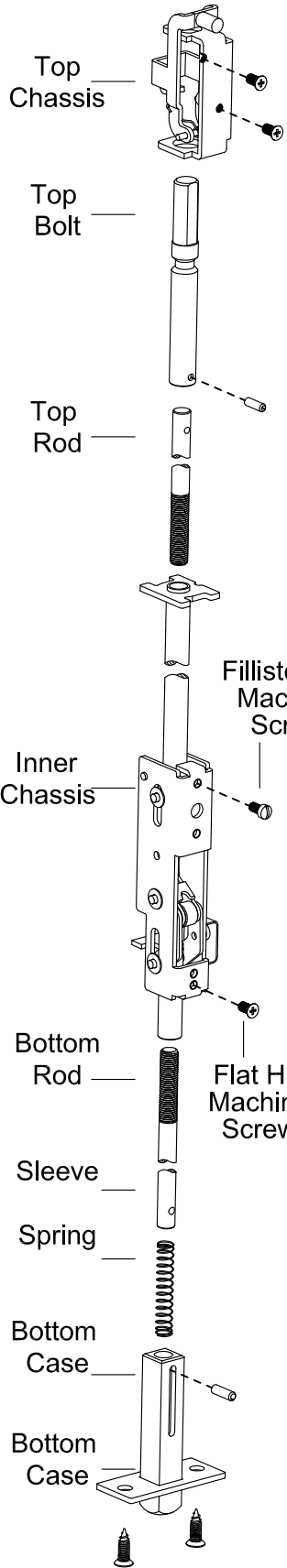
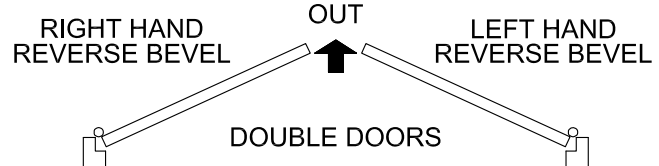


# INSTRUCTIONS FOR INSTALLING EDCVM701 / EDFCVM701 . CONCEALED VERTICAL ROD EXIT

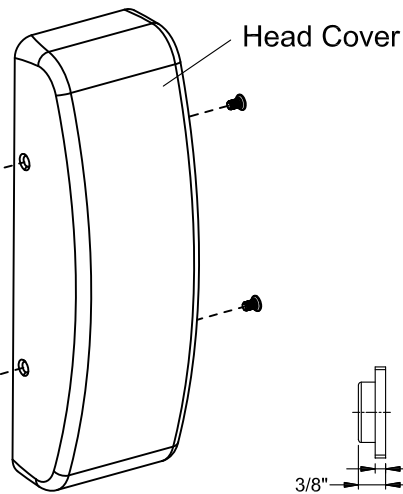
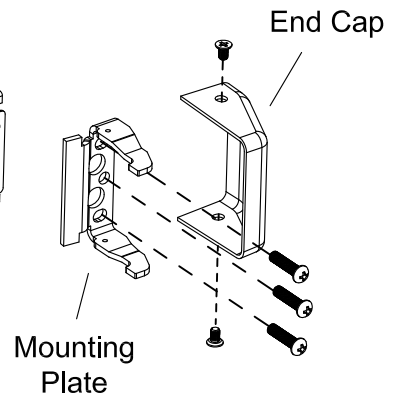
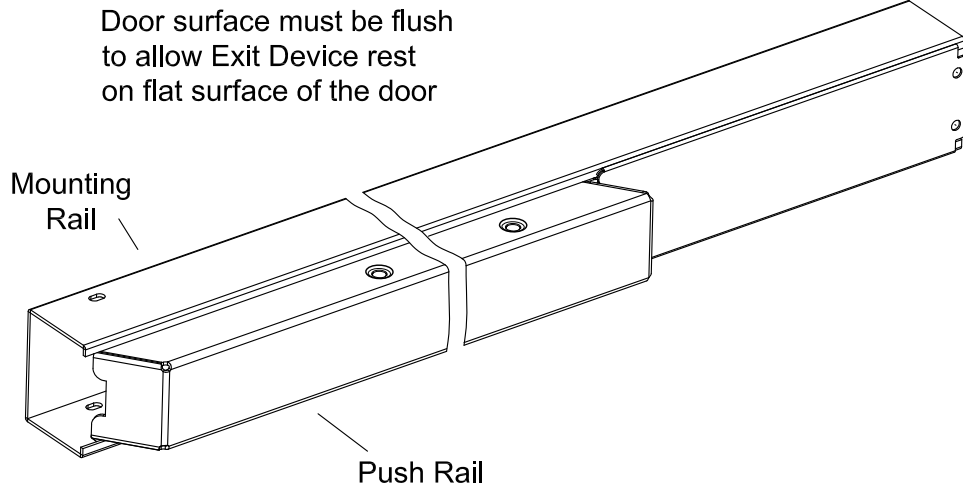


Available stock length  
 - For 32" doors, Device can be cut to fit doors down to 24" wide.  
 - For 36" doors, Device can be cut to fit doors down to 32" wide.  
 - For 48" doors, Device can be cut to fit doors down to 36" wide.

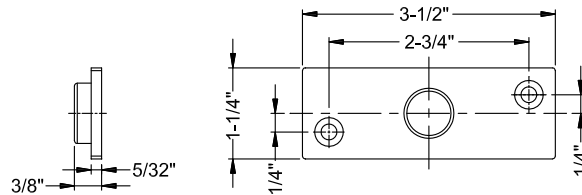
THIS EXIT DEVICE IS HANDED  
 CHECK HAND OF DEVICE AGAINST APPLICATION



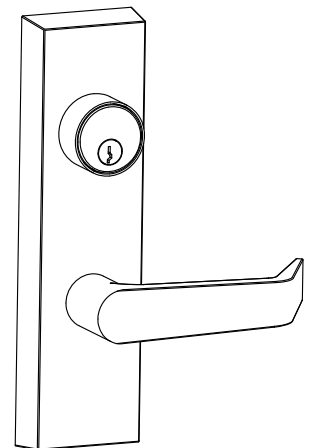
Door surface must be flush to allow Exit Device rest on flat surface of the door



#10-24 FL HD Machine screws  
 or #10x1" FL HD Wood screws

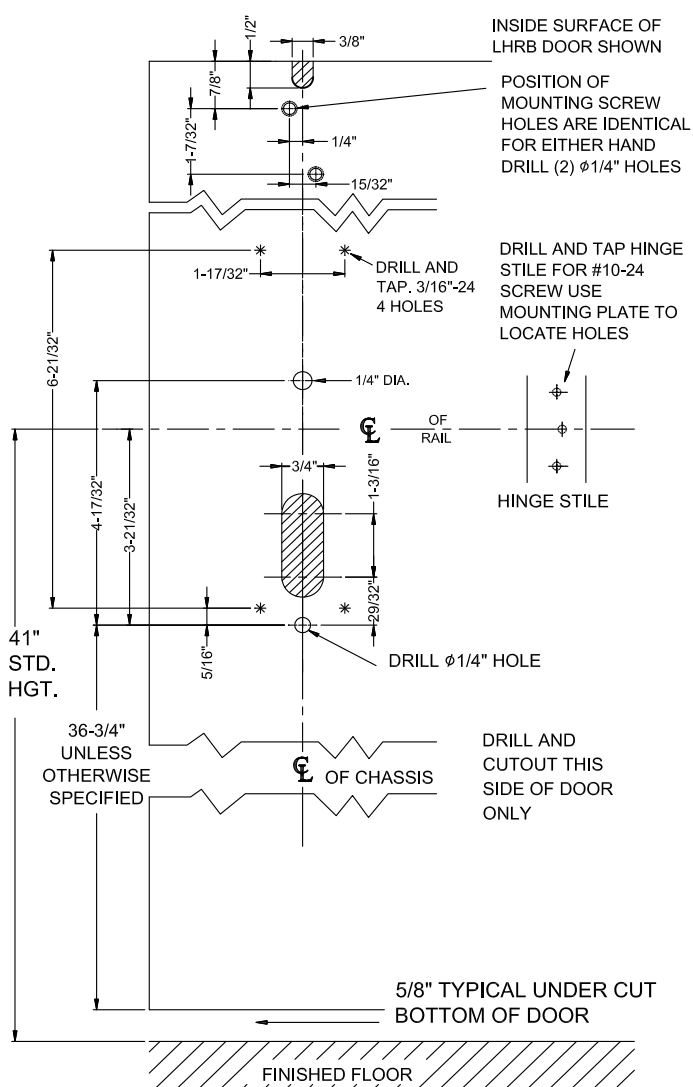


TOP STRIKE

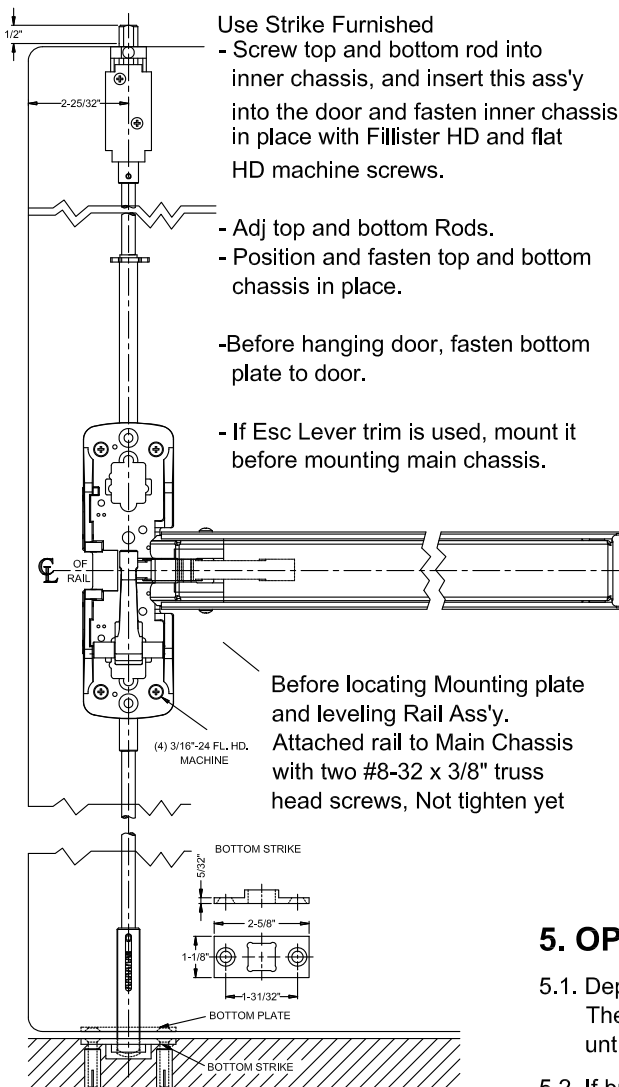


If ESC Lever trim is used, See Instruction sheet packed with the trim

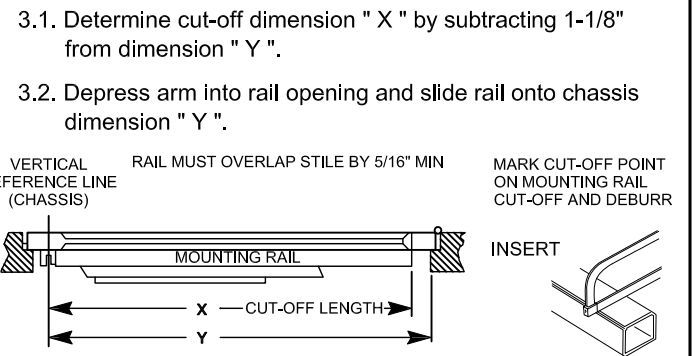
## 1. PREPARE DOOR



## 2. MOUNT ROD & CHASSIS

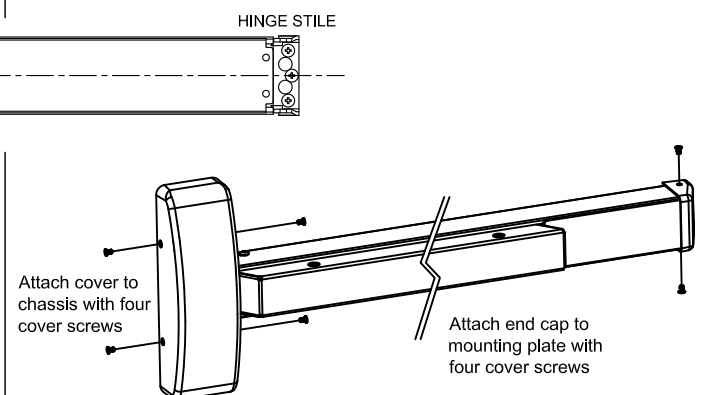


## 3. MOUNT RAIL ASS'Y



## 4. ATTACH COVER

- Attach cover to chassis with four cover screws.



## 5. OPERATION CHECK

- Depress Push rail, bolt should retract into door. The latch retractor button should pop out and hold the bolt retracted until button is depressed.
- If button does not pop out, remove top chassis and screw the top rod in one turn. Replace top chassis and repeat above operation.