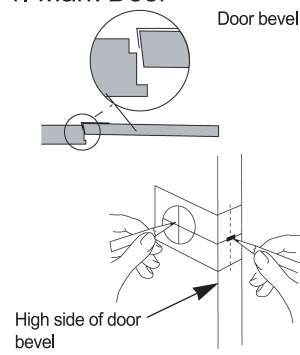


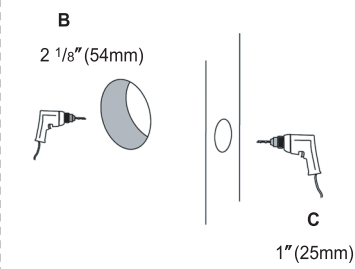
## Instructions For Installation of Single and Double Cylinder Dead Lock

### 1. Mark Door



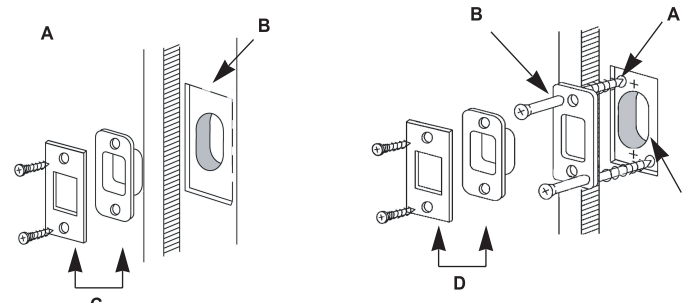
- Check lock for proper backset before marking.
- Fold template over door edge.
- Mark center for  $2\frac{1}{8}$ " (54mm) hole.
- Mark center for  $1$ " (25mm) diameter latch hole in door edge.

### 2. Drill holes



- Determine backset ( $2\frac{3}{4}$ " or  $2\frac{3}{8}$ " of the lock).
- Drill a  $2\frac{1}{8}$ " (54mm) hole through both sides of the door as shown.
- Drill a  $1$ " (25mm) hole into front face of the door. Be certain holes are perpendicular.

### 5. Install Strike



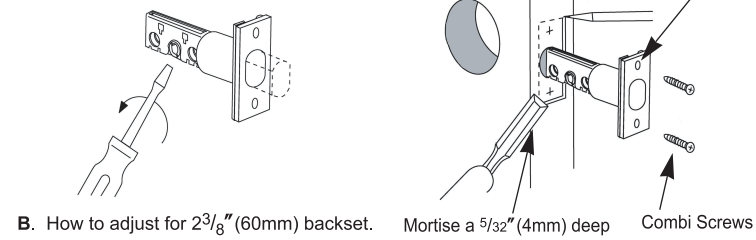
- Place strike box in hole. Place strike over the strike box and use it as pattern for cutout.
- Chisel about  $\frac{1}{8}$ " (3.2mm) deep for flush fit of box and strike.
- Install strike box and strike with combi screws.

- Place reinforcer over holes with screw holes as shown. Mark and drill  $\frac{3}{16}$ " (5mm) holes for reinforcement screws.
- Chisel about  $\frac{1}{4}$ " (6mm) deep for flush fit of reinforcer, box and strike.
- Install Reinforcer with  $3$ " (76mm) wood screws.
- Install strike box and strike with combi screws.

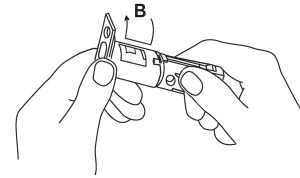
### 3. Install Dead Bolt

Adjustable deadbolt is factory preset  $2\frac{3}{4}$ " (70mm) backset.

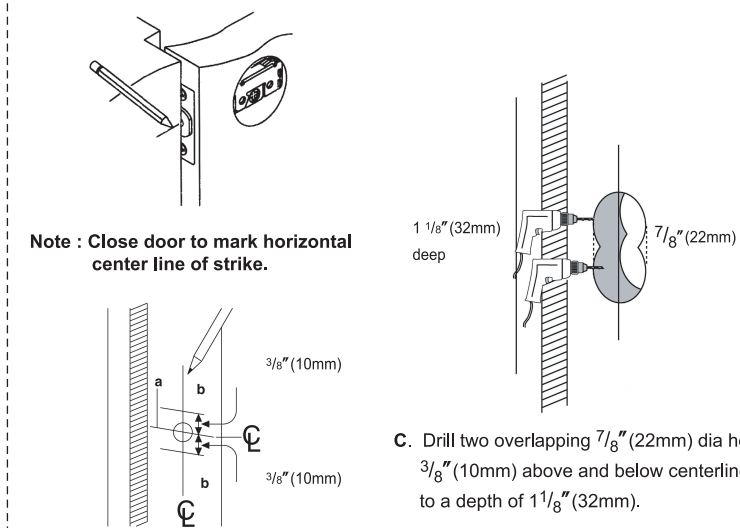
- Bolt must be retracted. Retract deadbolt (if necessary, use screwdriver to turn cam and retract bolt).



- How to adjust for  $2\frac{3}{8}$ " (60mm) backset. Mortise a  $\frac{5}{32}$ " (4mm) deep.
- NOTE: Press on the bolt with thumb. Rotate faceplate and push down to move housing to next position.
- Scribe line around faceplate.
- Chisel out scribed area to depth of  $\frac{5}{32}$ " (4mm) or until face is flush with door edge.
- Insert deadbolt and fasten with two screws.

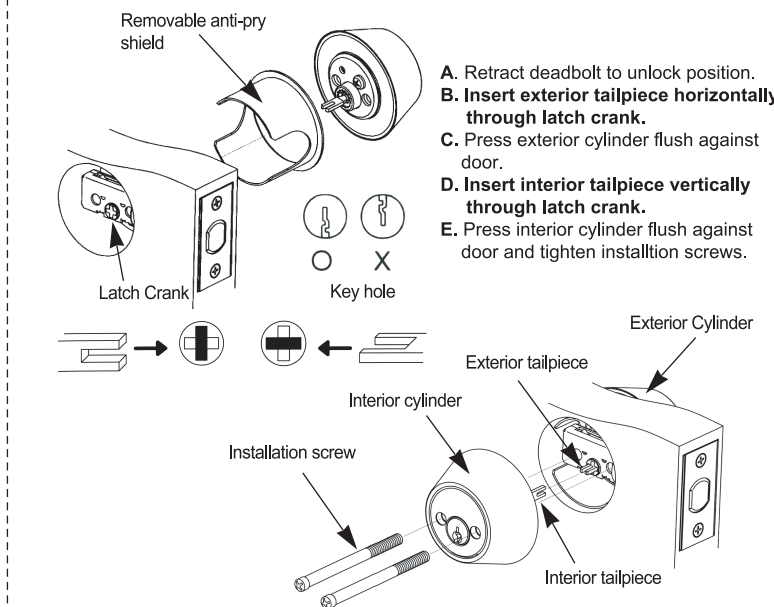


### 4. Prepare Door Jamb



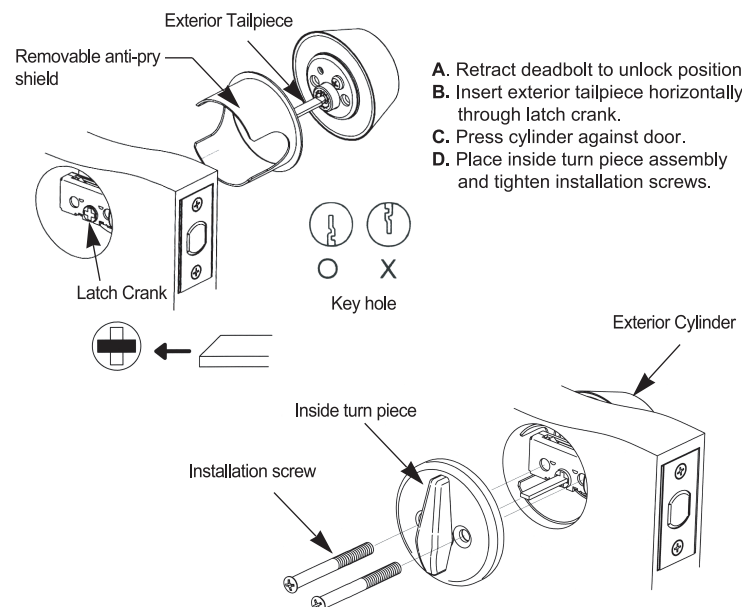
- Locate exact centerline of bolt and mark centerline on jamb.
- Mark drill points  $\frac{3}{8}$ " (10mm) above and below centerline.

### 7. Install Double Cylinder

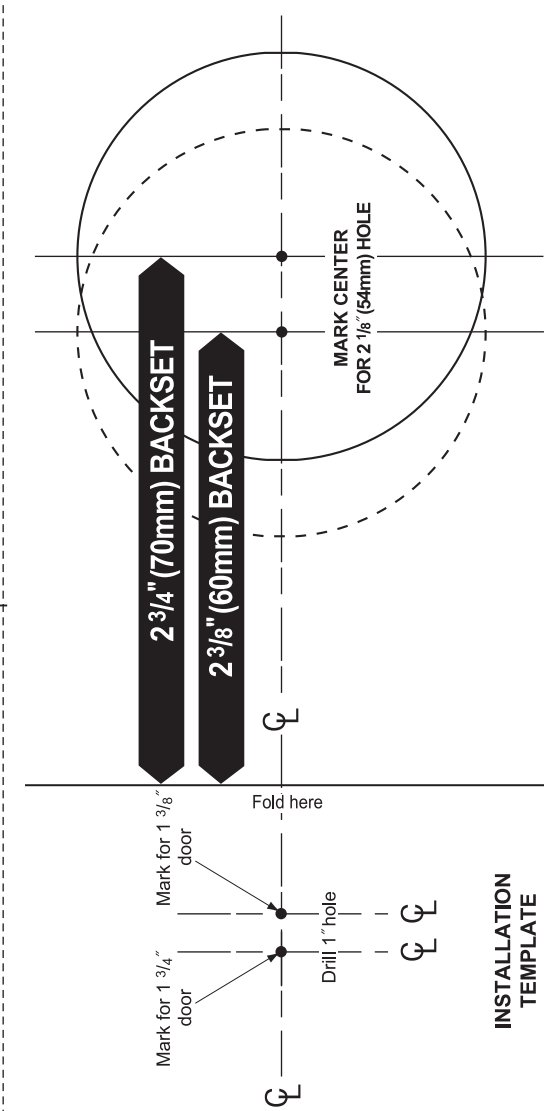


- Retract deadbolt to unlock position.
- Insert exterior tailpiece horizontally through latch crank.
- Press exterior cylinder flush against door.
- Insert interior tailpiece vertically through latch crank.
- Press interior cylinder flush against door and tighten installation screws.

### 6. Install Single Cylinder



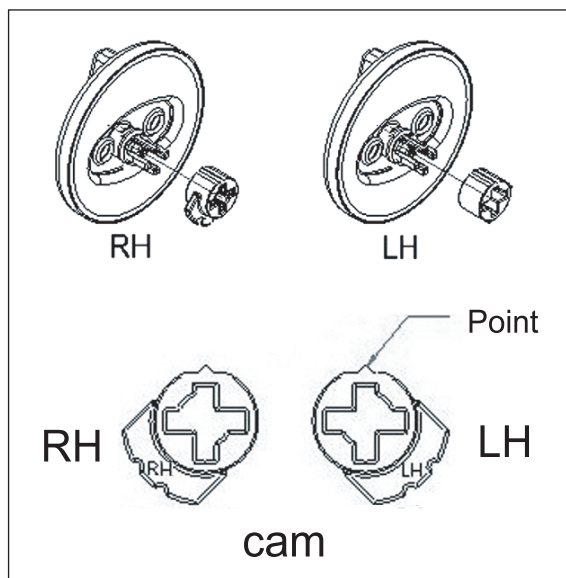
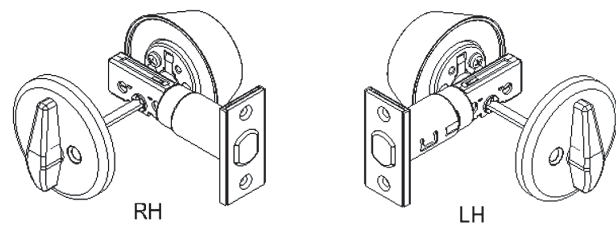
- Retract deadbolt to unlock position.
- Insert exterior tailpiece horizontally through latch crank.
- Press cylinder against door.
- Place inside turn piece assembly and tighten installation screws.



INSTALLATION TEMPLATE

## CAUTION FOR CLASSROOM FUNCTION

- Check handing of lock installation (RH or LH).
- Insert the cam with Point upward into thumbturn piece.



## Small Format Interchangeable Core(Optional)

- Align driver horizontally as shown.
- Install core: Turn control key clockwise and push core into housing. Turn control key back to vertical position remove from the core.

※ Adapter Ring (Thin door kit)

NOTE: To install on 1-3/8" thickness door, use optional adapter ring shim.

