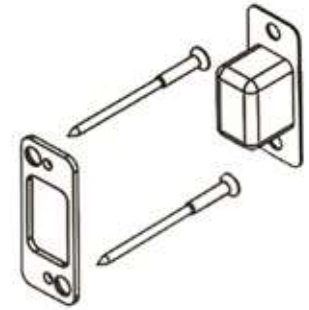
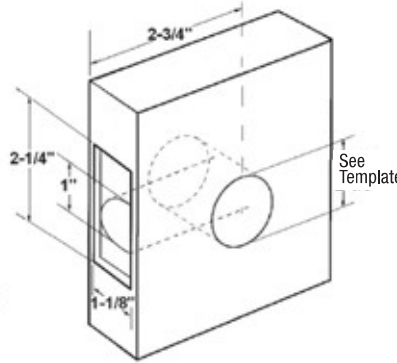




Doormerica

700 Series - Standard Duty Commercial Deadbolt - Grade 2



Wood Door Frame Reinforcer
(Concealed under strike/deeply anchored to jamb with 2 3" screws)

Features:

- Tested to exceed 150,000 operational cycles ANSI Grade 2 requirements for durability.
- 3" steel screws provide the added strength to prevent against break-in attacks for Wood Door. (Exclusive concealed wood frame reinforcer protects wood jambs from kick-in attacks.)
- 1" throw, high-strength deadbolt with hardened steel roller resists sawing and kick-in attacks.
- Standard dust box includes additional space inside strike box for true deadlatch. Provides deep anchoring and added strength.
- Concealed screws on double cylinder deadbolts for enhanced security and safety.

Specifications:

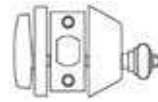
- Handing Non-handed
- Door Thickness 1-3/8" -1-3/4"
- Backset 2-3/4" standard, 2-3/8" optional
- Faceplate 1-1/8" x 2-1/4" standard
- Dead bolt 1" throw with saw resistant hardened steel roller inserted
- Strike 1-1/8" x 2-3/4" metal and wood strikes with strike reinforcement supplied standard
- Cylinder 5 & 6 pin solid brass "Schlage C" keyway standard with two brass keys per lock
- Keyways Available for all keyways of most major manufacturers / Available with factory lead time.

Options:

- SFIC (small format) interchangeable core and high security cylinders
- Compatible 6 or 7 pin cores with Best style
- Master keying, Grand master keying and construction keying
- 2-3/8" backset
- DBADJ Adjustable deadbolt only (1" face plate, not UL listed)
- 2-3/8"-2-3/4" ADJ backset, with round corners and 1" face plate (PDBULADJ26D-1RD)
- 2-3/8"-2-3/4" ADJ backset, with 1" face plate (PDBULADJ26D-1)

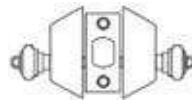
Functions:

DB751 Single Cylinder



- Deadbolt thrown or retracted by key from outside or by turning inside turn.
- Bolt automatically deadlocks when fully thrown.

DB760 Double Cylinder



- Deadbolt thrown or retracted by key from either side.
- Bolt automatically deadlocks when fully thrown.

DB780 - Door Bolt



- Deadbolt thrown or retracted by turn only.
- **No through holes in door. Designed for half door preparation.**
- **Half bore is 1-5/8" (Do not bore through)**

CODE COMPLIANCE:

Meets ADA Requirements specifically designed for Barrier Free Application

ANSI/BHMA A 156.5 Series 4000, Grade 2 strength and operational requirements

UL listed to USA and Canadian safety standards listed for 3 hour doors Meets UL 10C and UBC 7-2 (1997) Positive Pressure



LIMITED LIFETIME WARRANTY

Stocked Product

Item	Finish
DB751	US3, 10B, 15, 26, 26D, 32D
DB751 IC less core	10B, 26, 26D
DB760 (DBL CYL)	US3, 10B, 15, 26, 26D, 32D
DB760 (DBL CYL) IC less core	10B, 26, 26D
DB780	US3, 10B, 26, 26D
DBADJ (Adj. Bolt Only)	US3, 10B, 26D
PDBULADJ26D-1RD	26D
PDBULADJ26D-1	26D