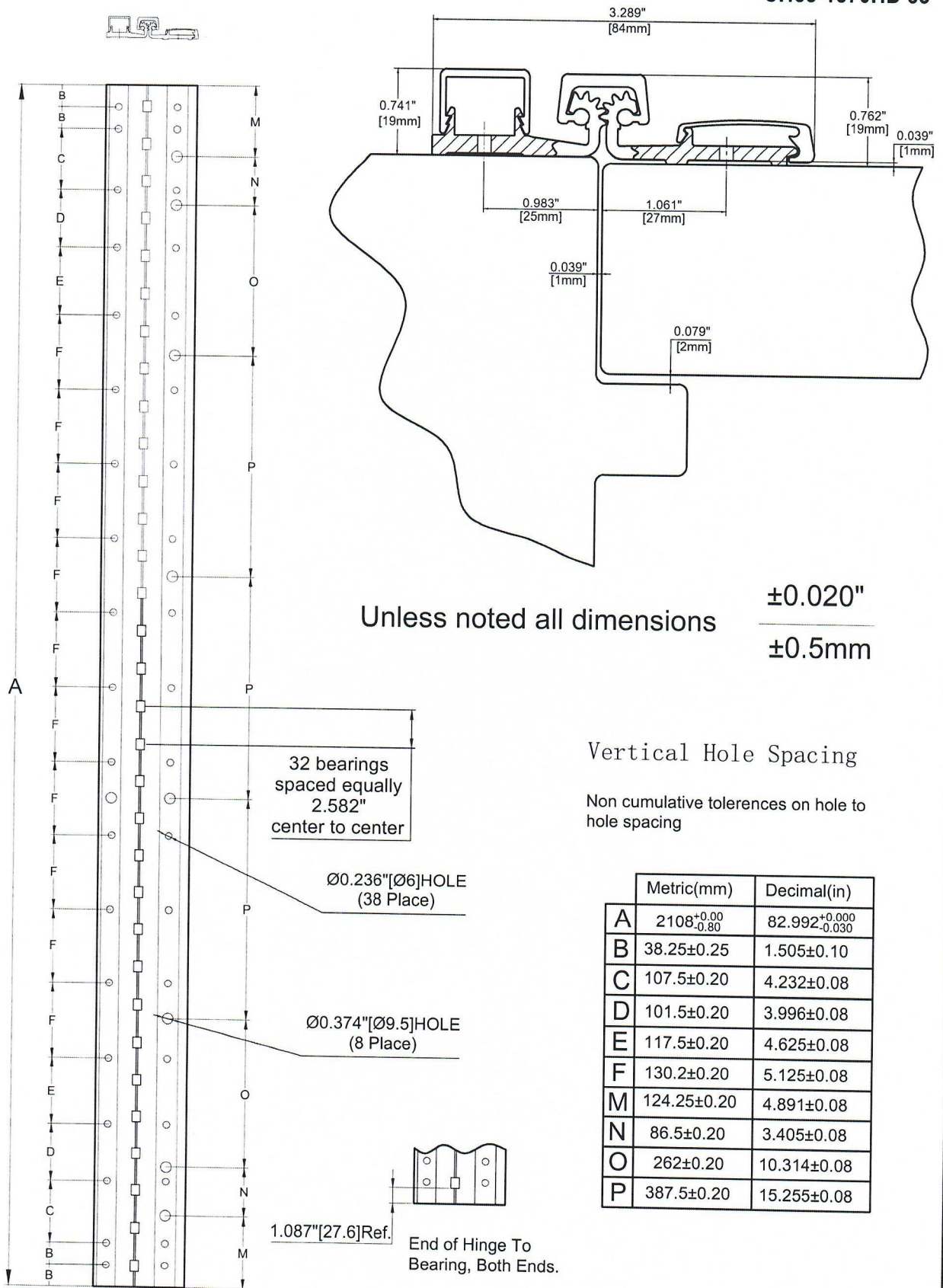


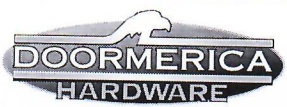
# CH88-1570HD 83"



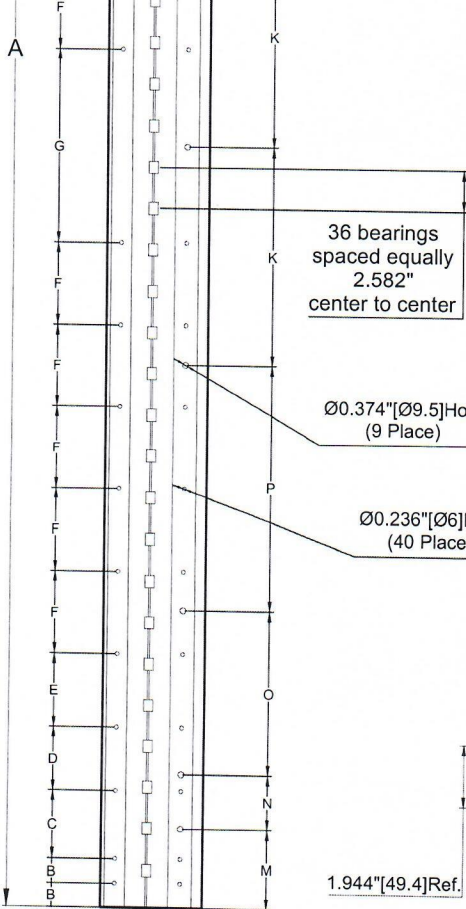
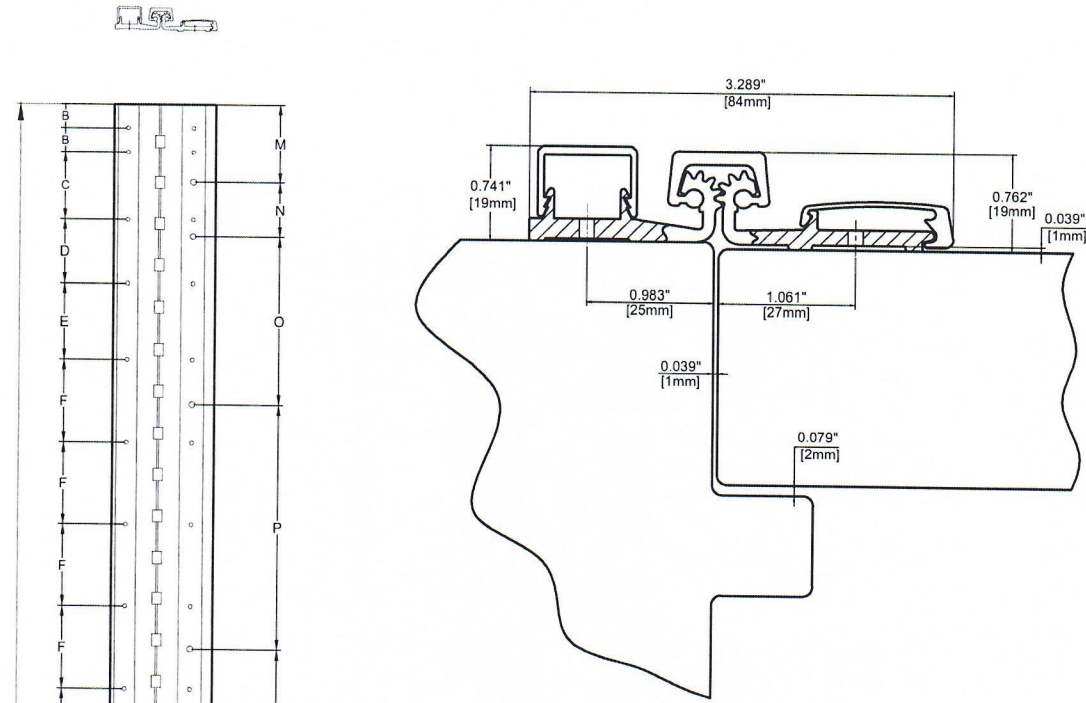
Unless noted all dimensions  $\pm 0.020''$   
 $\pm 0.5\text{mm}$

Vertical Hole Spacing  
 Non cumulative tolerances on hole to hole spacing

	Metric(mm)	Decimal(in)
A	2108 <sup>+0.00</sup> <sub>-0.80</sub>	82.992 <sup>+0.000</sup> <sub>-0.030</sub>
B	38.25±0.25	1.505±0.10
C	107.5±0.20	4.232±0.08
D	101.5±0.20	3.996±0.08
E	117.5±0.20	4.625±0.08
F	130.2±0.20	5.125±0.08
M	124.25±0.20	4.891±0.08
N	86.5±0.20	3.405±0.08
O	262±0.20	10.314±0.08
P	387.5±0.20	15.255±0.08



ITEM NO:	DESCRIPTION:	SCALE:
<b>CH88-1570HD</b>	FULL CONCEALED MORTISE 83" HEAVY DUTY CONTINUOUS GEARED HINGE	NOT TO SCALE
ANSI:	UNIT:	VERSION:
	inches[mm]	
		BY:

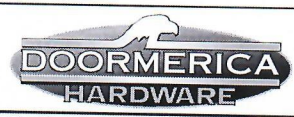
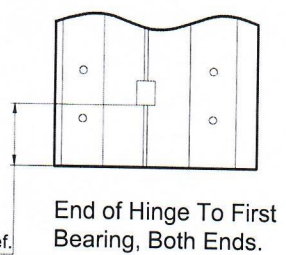


Unless noted all dimensions  $\pm 0.020"$   
 $\pm 0.5mm$

Vertical Hole Spacing

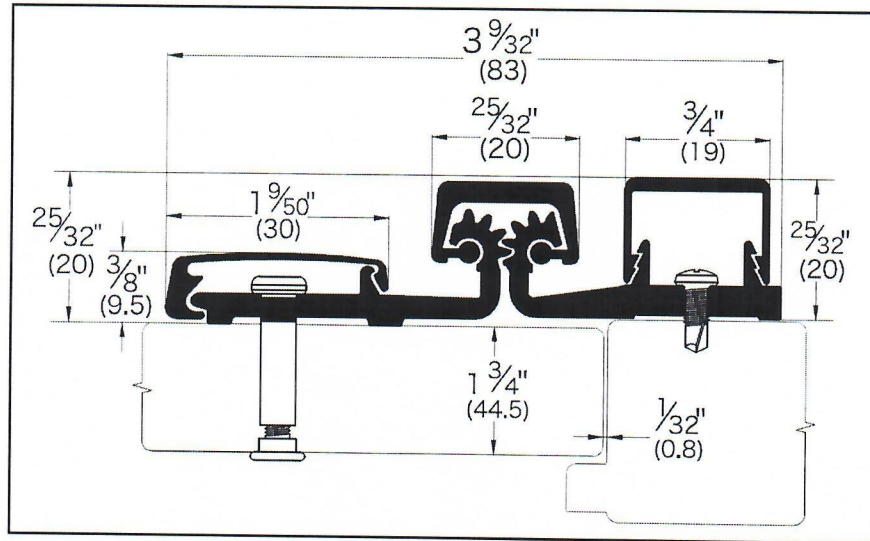
Non cumulative tolerances on hole to hole spacing

	Metric(mm)	Decimal(in)
A	2414.0 <sup>+0.00</sup> <sub>-0.80</sub>	95.039 <sup>+0.000</sup> <sub>-0.030</sub>
B	38.25±0.25	1.505±0.10
C	107.5±0.20	4.232±0.08
D	101.5±0.20	3.996±0.08
E	117.5±0.20	4.625±0.08
F	130.2±0.20	5.125±0.08
G	306±0.20	12.047±0.08
M	124.25±0.20	4.891±0.08
N	86.5±0.20	3.405±0.08
O	262±0.20	10.314±0.08
P	387.5±0.20	15.255±0.08
K	346.75±0.20	13.651±0.08



ITEM NO:	DESCRIPTION:	SCALE:
<b>CH88-1570HD</b>	FULL CONCEALED MORTISE 95° HEAVY DUTY CONTINUOUS GEARED HINGE	<b>NOT TO SCALE</b>
ANSI:	UNIT:	VERSION:
	inches[mm]	BY:

## Installation Instructions for Doormerica's CH88-1570HD Continuous Geared Hinges



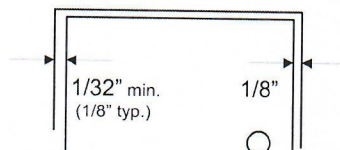
CH88-1570HD is an Aluminum Continuous Geared Full Surface Hinge. This model can be used with any standard frame without preps, and either with or without reinforcements depending on door weight. The frame face must have a flat surface at least  $\frac{7}{8}$ " wide. Clearance required between the hinge edge of the door and the frame rabbet may be from  $\frac{1}{32}$ " to  $\frac{1}{8}$ " (0.8 - 3.2mm) minimum. "HD" models have additional bearings for heavy-duty application

### Hinge Length

CH88-1120HD Hinges are supplied approximately 1" to  $1\text{-}15/16$ " shorter than the nominal door height to avoid threshold or carpet clearance problems. If the hinge must be trimmed shorter, first determine the correct hand of the door and orientation of the hinge. Then mark and trim from the *bottom* of the hinge only – do not cut from the top end.

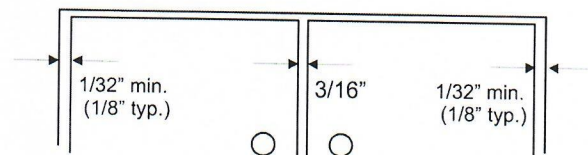
NOM. DOOR HEIGHT	NOM. HINGE LENGTH	NUMBER OF FASTENERS (Door/Frame)
6'-8"	79" (2006mm)	8 / 8
7'-0"	83" (2108mm)	8 / 8
7'-2"	85" (2159mm)	8 / 8
8'-0"	95" (2413mm)	9 / 9
10'-0"	119" (3022mm)	10 / 10

### Total Clearance Between Door And Frame Width



#### SINGLE DOOR

Hinge side clearance (typical)	$\frac{1}{8}$ " (3.2mm)
Latch side clearance (typical)	$\frac{1}{8}$ " (3.2mm)
<b>TOTAL</b>	$\frac{1}{4}$ " (6.4mm)



#### PAIR OF DOORS

First hinge side clearance (typical)	$\frac{1}{8}$ " (3.2mm)
Clearance between doors (typical)	$\frac{3}{16}$ " (4.8mm)
Second hinge side clearance (typical)	$\frac{1}{8}$ " (3.2mm)
<b>TOTAL</b>	$\frac{7}{16}$ " (11.2mm)

### General Fitting Procedure

- For new construction with metal wood doors/frames: See the clearance information above to attain the proper door/frame size. A minimum clearance of  $\frac{1}{32}$ " (0.8mm) is required between the hinge edge of the door and the frame rabbet. Mortar guards, either styrofoam or wood, are recommended for frames to prevent grout from interfering with the installation of the hinge fasteners.
- For new site-hung wood doors: If necessary, scribe and cut from the *latch edge* of the door to leave sufficient hinge stile thickness for proper fastening. See the clearance information above to attain the proper finished width of the door. A minimum clearance of  $\frac{1}{32}$ " (0.8mm) is required between the hinge edge of the door and the frame rabbet.

## Installation Procedure

### Frame Preparation (See Fig. 1)

1. The frame face must have a flat surface at least  $7/8$ " wide to support the hinge. If wider than  $7/8$ ", mark a line on the frame face  $1$ " to  $1-15/16$ " from the center of the gap between the door and jamb. For a typical  $1/8$ " hinge side gap, the line will be  $1-15/32$ " from the center of the gap.
2. Place the outer edge of the hinge frame leaf on this mark, with the top of the hinge positioned  $1/16$ " ( **$1/8$ " maximum**) below the level of the header rabbet. **Note: A  $1/16$ " shim is recommended due to initial settling of the bearings.**
3. Mark and center punch the screw hole locations. *Accurate location is important for proper installation.*
4. For metal frames 12 gage or less ( $\leq .110$ "/2.8mm), it is not necessary to pre-drill pilot holes if using the self-drilling screws provided. For metal frames thicker than 12 gage ( $> .110$ "/2.8mm), drill and tap all mounting holes for #12-24 threads prior to installing the screws. For wood frames, pre-drill pilot holes using #18 ( $.170$ "/4.3mm) bit for optional #12 wood screws.
5. Attach the hinge to the frame face. For metal frames, use the #12 self-drilling screws provided (recommended driver speed 1,900-2,500 RPM). For wood frames, use optional #12 wood screws.

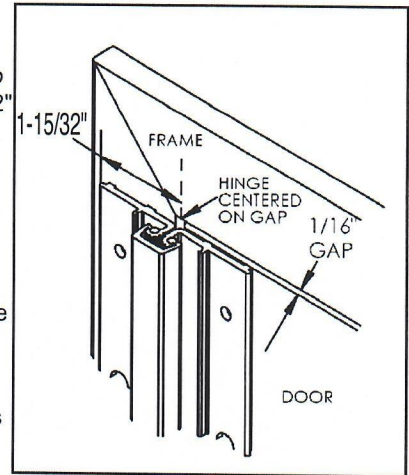


Fig. 1

### Door Preparation

1. Rotate the hinge leaf out of the way and set the door into the frame, using shims or wedges to adjust for the desired clearance on all sides.
2. Allow an additional  $1/32$ " of clearance on the latch edge of the door at the top only. This will allow for any settling or twisting of the frame that may occur after the shims are removed and the weight of the door is transferred entirely to the frame.
3. Allow  $1/16$ " clearance between the top of the door and the frame header rabbet. A good method for this is to use a  $1/16$ " thick shim placed over the top edge of the door.
4. With the door held securely in place, rotate the hinge leaf into position on the face of the door.
5. (Optional mounting without sexbolts) - Mark and center punch the locations of the smaller  $15/64$ " diameter holes. For metal doors, use optional #12 self-drilling screws. For wood doors, pre-drill pilot holes using a #18 ( $.170$ "/4.5mm) bit for optional #12 wood screws.  
(Standard sexbolt mounting) - Mark and center punch the locations of the larger  $3/8$ " diameter holes. *Accurate location is important for proper installation.* Rotate the hinge leaf back out of the way. At each mark, drill a hole completely through the door using a  $3/8$ " (9.5mm) bit.

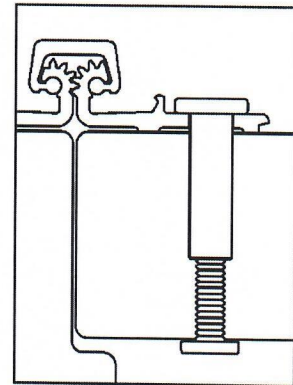


Fig. 2

### Hanging the Door (See Fig. 2)

1. Attach the hinge to the door as shown. Sexbolts may be reversed if additional security is needed on the push face of the door, but once the molding is in place reversed sexbolts cannot be accessed for maintenance or removal.
2. Remove all shims and wedges and make a gentle trial swing. Carefully check the door for proper swing and clearance.

### Install the Snap-On Molding (See Fig. 3)

1. For the door leaf - Locate and loosen the retaining setscrew on the edge of the molding with the  $5/64$ " hex key provided. Hook the longer leg of the molding under the outside edge of the door leaf along the full length of the hinge. Starting at the top and working downward, press or tap the short leg of the molding in place (if necessary use a rubber mallet or wood block under a hammer, taking care not to damage the molding). Tighten the retaining setscrew.
2. For the frame leaf - Position the molding over the projections on the frame leaf. Starting at the top and working downward, press or tap the molding fully in place (if necessary use a rubber mallet or wood block under a hammer, taking care not to damage the molding).

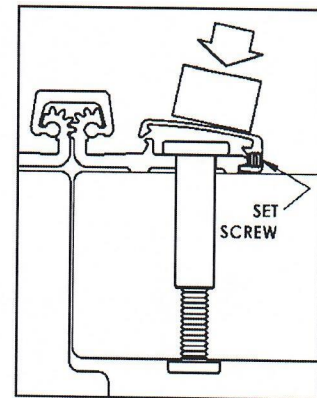


Fig. 3

