



Doormerica

Continuous Geared Aluminum Hinges CH88 1570HD / CH88 2100HD - Heavy Duty Full Surface

Features:

- Full Surface
- May be used with any door material
- Heavy Duty for high frequency 1 3/4" doors or heavy medium frequency doors up to 450 lbs.
- Replacement for existing doors and frames 7/8" minimum frame 1/16" inset

Specifications:

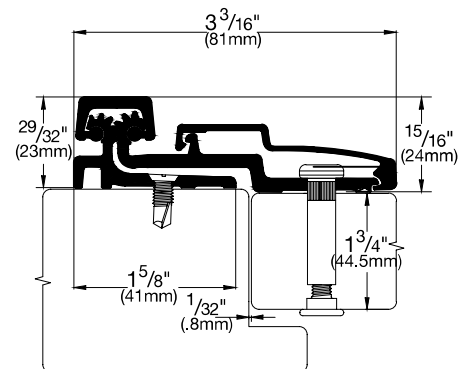
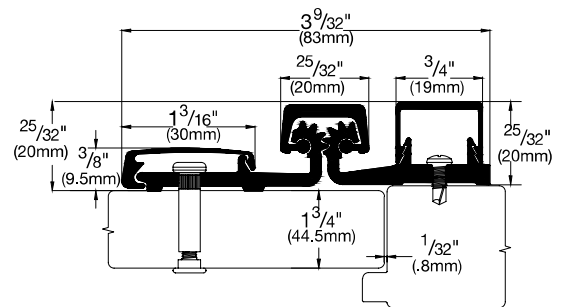
- FASTENERS:** Self-Tapping screws. Full Surface Hinges
- 1) Frame Portion
 - a) All fasteners are No. 12-24 x 1/16" Type C, FHUC
 - Heavy Duty Hinges - 10 required for each leaf
 - 2) Door Portion
 - a) Thrubolt 1/4-20 x 1 5/8" PCH
 - Heavy Duty Hinges - 6 required for each leaf
 - b) Shoulder bolt 1/4-20 x 1" PCH
 - Heavy Duty Hinges - 6 required
 - c) Pan Head Self Drilling No. 12 x 3/4"
 - Heavy Duty Hinges - 4 required

LENGTH OPTIONS: 83" (7'0" opening) & 95" (7'2" - 8'0" opening)

DOOR REINFORCEMENT: None needed

FRAME REINFORCEMENT: None needed to 200 lbs. Use 16 gauge channel over 200 lbs.

MODEL#	LENGTH	SCREW COUNT DOOR/JAMB	CLEARANCE
CH88 1570HD	83"	19/19	1/32" (1mm) minimum recommended for hinge side plus standard lockside clearance
CH88 1570HD	95"	20/20	
CH88 2100HD	83"	19/19	1/32"(1mm) minimum recommended for hinge side plus standard lockcase clearance
CH88 2100HD	95"	20/20	1 5/8" (41mm) minimum frame face required plus 3/16" (5mm) rotational clearance



Available Finishes:
CLR (Clear Anodized Aluminum)
DB (Dark Bronze Anodized Aluminum)

LIMITED LIFETIME WARRANTY

Stocked Product

Item	Length	Finish
CH88 1570HD	83"	CLR, DB
CH88 1570HD	95"	CLR, DB
CH88 2100HD	83"	CLR, DB
CH88 2100HD	95"	CLR, DB