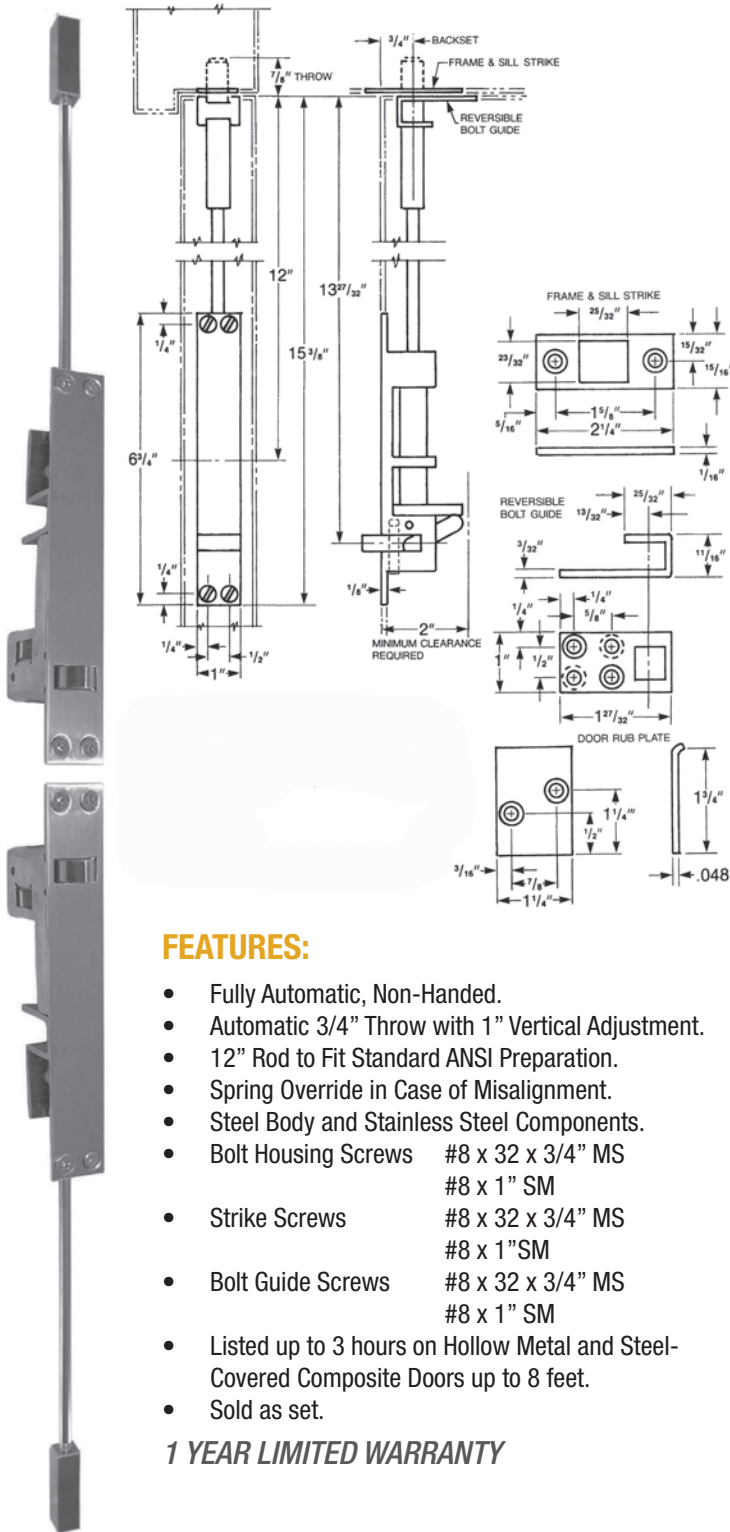


FBA292 - Automatic Flush Bolts For Metal Doors



FEATURES:

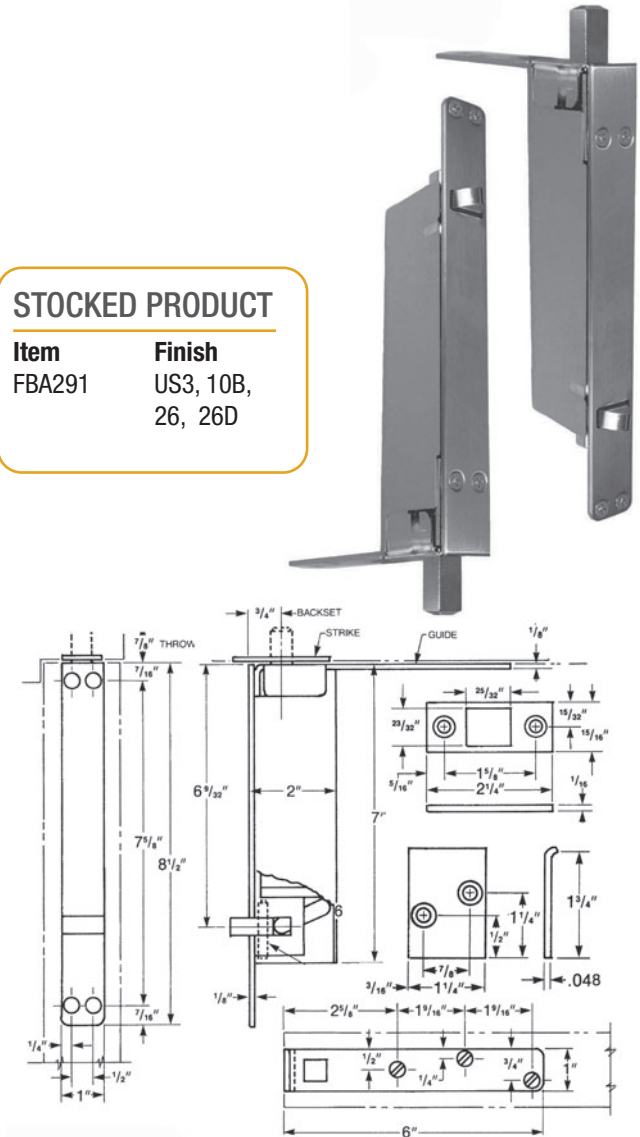
- Fully Automatic, Non-Handed.
- Automatic 3/4" Throw with 1" Vertical Adjustment.
- 12" Rod to Fit Standard ANSI Preparation.
- Spring Override in Case of Misalignment.
- Steel Body and Stainless Steel Components.
- Bolt Housing Screws #8 x 32 x 3/4" MS #8 x 1" SM
- Strike Screws #8 x 32 x 3/4" MS #8 x 1" SM
- Bolt Guide Screws #8 x 32 x 3/4" MS #8 x 1" SM
- Listed up to 3 hours on Hollow Metal and Steel-Covered Composite Doors up to 8 feet.
- Sold as set.

1 YEAR LIMITED WARRANTY

STOCKED PRODUCT

Item	Finish
FBA292	US3, 10B, 26, 26D

FBA291 - Automatic Flush Bolts For Wood Doors



STOCKED PRODUCT

Item	Finish
FBA291	US3, 10B, 26, 26D

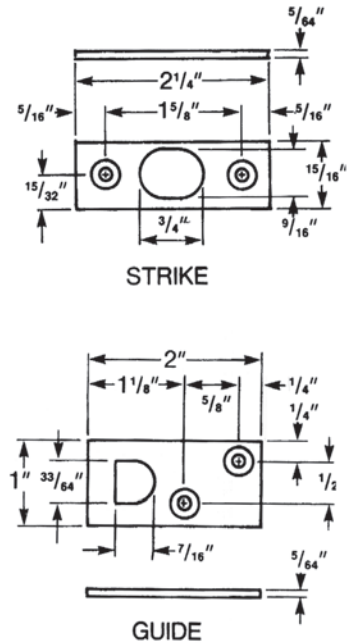
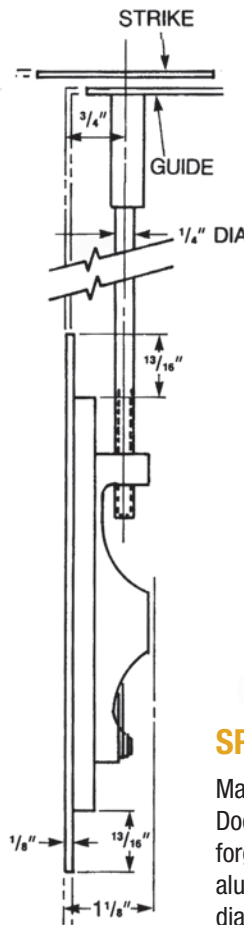
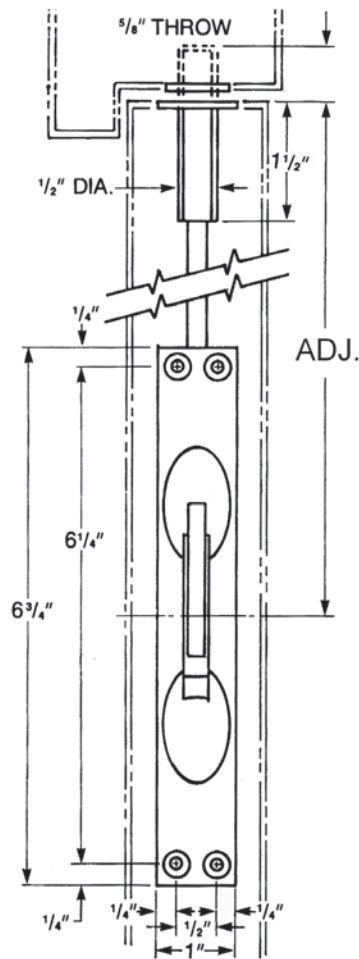
FEATURES:

- Fully Automatic, Non-Handed.
- Automatic 3/4" Throw and 3/4" Vertical Adjustment.
- Spring Override in Case of Misalignment.
- Steel Body and Stainless Steel Components.
- Bolt Housing Screws #8 x 3/4" MS #8 x 32 x 1/4" MS
- Strike Screws #8 x 3/4" MS
- Bolt Guide Screws #10 x 7/8" SM
- Rub Plate Screws #8 x 3/4" MS
- Listed up to 1-1/2 hours on Composite Wood Doors up to 8 Feet.
- Sold as set.

CODE COMPLIANCE:



Manual Flush Bolts



FEATURES:

- FB197 -Forged Brass.
- Non-Handed.
- 5/8" Throw with 7/8" Vertical Adjustment.
- 12" Rod to Fit Standard ANSI Preparation.
- Spring Loaded Lever to Project or Retract Bolt.
- Forged Brass Construction.
- Bolt Housing Screws #8 x 32 x 1/2" MS
#8 x 1" SM
- Strike Screws #8 x 32 x 1/2" MS
#8 x 1" SM
- Bolt Guide Screws #8 x 32 x 1/2" MS
#8 x 1" SM
- Listed up to 3 hours on Hollow Metal and Steel-Covered Composite Doors up to 8 feet.

SPECIFICATIONS:

Manual Flush Bolt -Manual flush bolts shall be by Doormerica model number FB197 series made from forged brass or FB197AL series made from extruded aluminum. Flush bolts shall be provided with 1/2" diameter brass bolts and project 5/8" from the top or bottom edge of door with 7/8" vertical adjustment. Flush bolts shall have spring loaded lever to project or retract the bolts.



CODE COMPLIANCE:

- FED. SPEC. -1049
- ANSI-A156.16.
- BHMA -LI4081
- NFPA 80 -National Fire Protection Association

1 YEAR LIMITED WARRANTY

STOCKED PRODUCT

Item	Finish
FB197	US3, 10B, 26, 26D